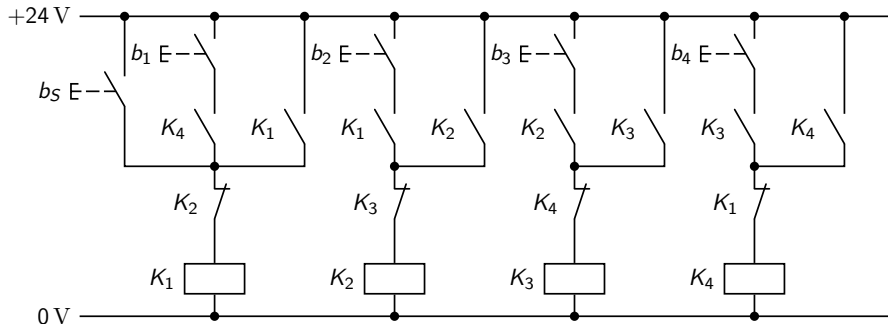
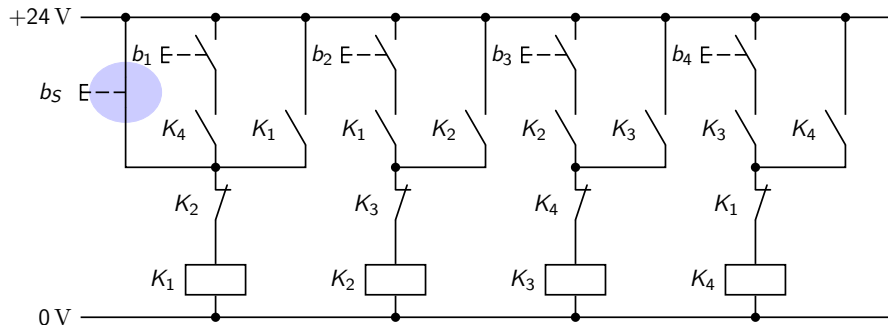


Four-Step Sequencer 1



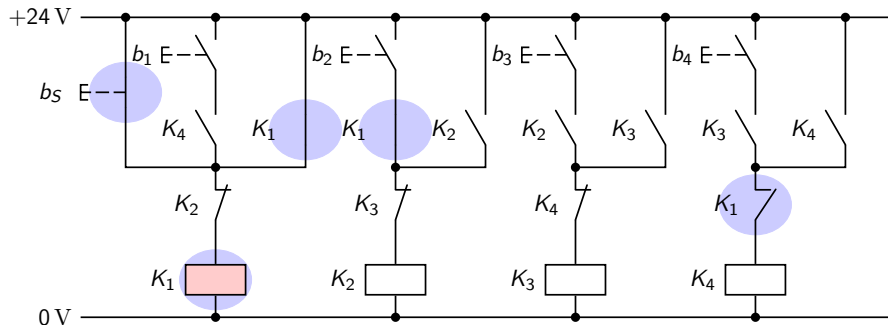
Copyright (C) 2018-2022 by Luis Paulo Laus, laus@utfpr.edu.br

Four-Step Sequencer 2



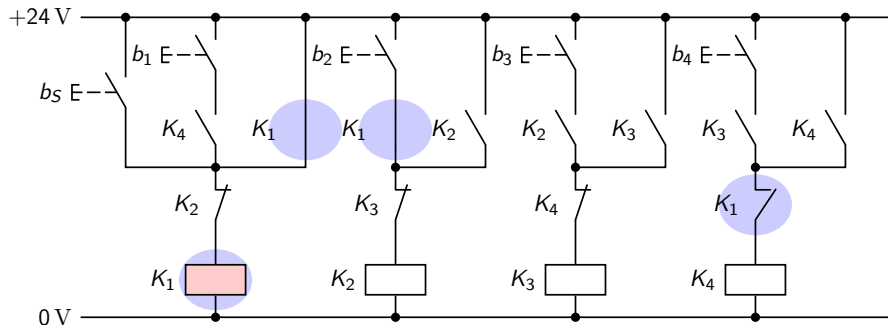
Copyright (C) 2018-2022 by Luis Paulo Laus, laus@utfpr.edu.br

Four-Step Sequencer 3



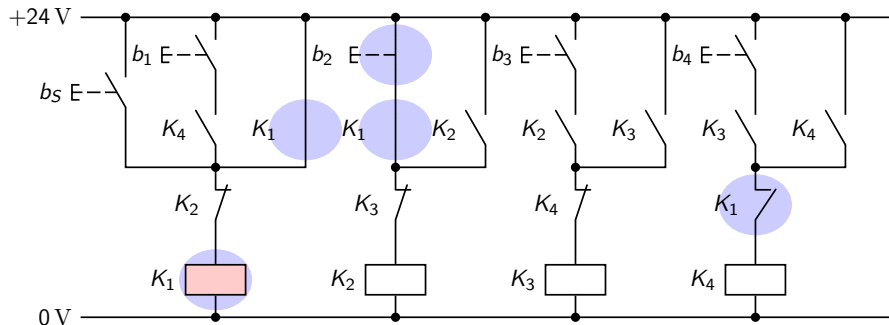
Copyright (C) 2018-2022 by Luis Paulo Laus, laus@utfpr.edu.br

Four-Step Sequencer 4



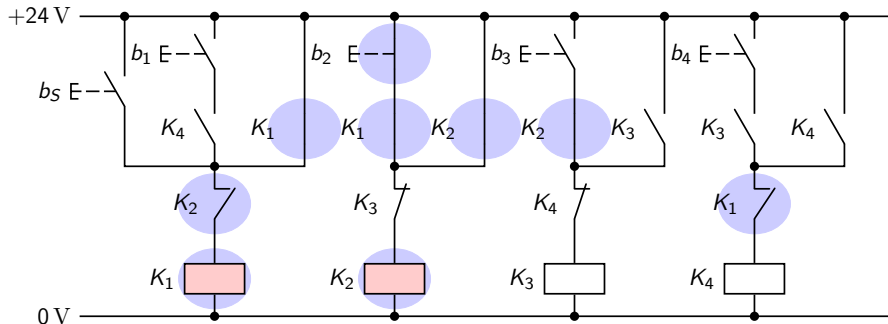
Copyright (C) 2018-2022 by Luis Paulo Laus, laus@utfpr.edu.br

Four-Step Sequencer 5



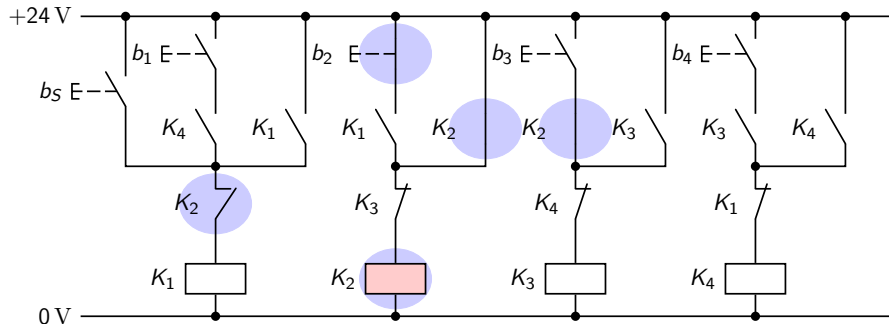
Copyright (C) 2018-2022 by Luis Paulo Laus, laus@utfpr.edu.br

Four-Step Sequencer 6



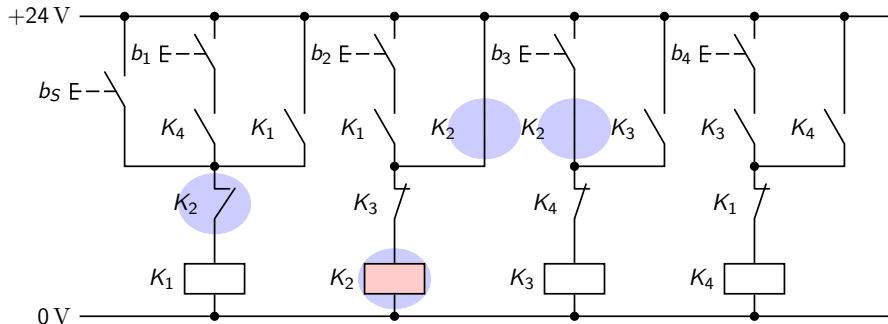
Copyright (C) 2018-2022 by Luis Paulo Laus, laus@utfpr.edu.br

Four-Step Sequencer 7



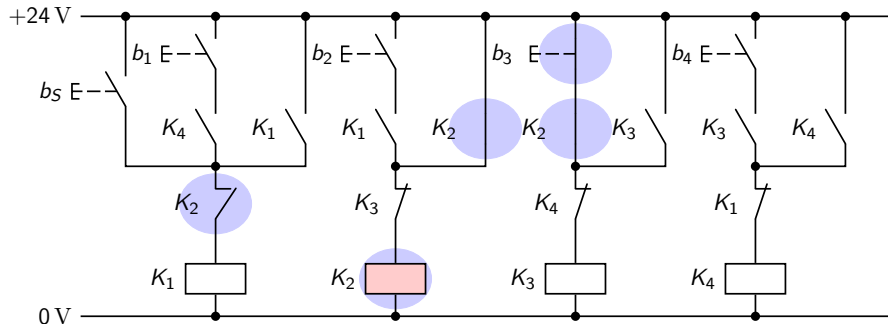
Copyright (C) 2018-2022 by Luis Paulo Laus, laus@utfpr.edu.br

Four-Step Sequencer 8



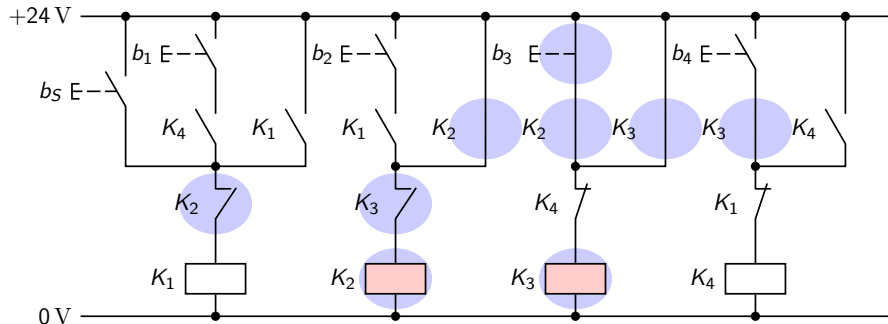
Copyright (C) 2018-2022 by Luis Paulo Laus, laus@utfpr.edu.br

Four-Step Sequencer 9



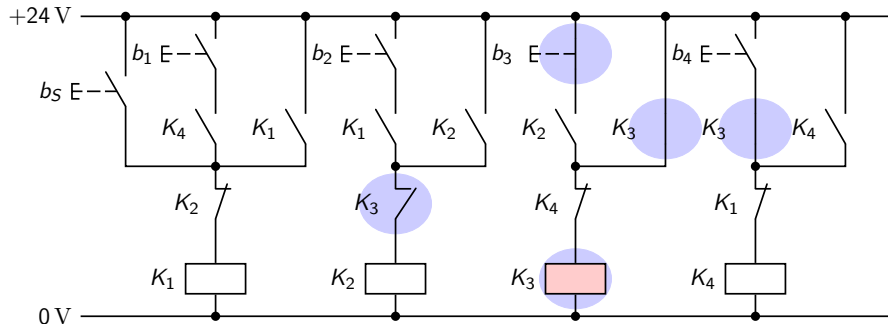
Copyright (C) 2018-2022 by Luis Paulo Laus, laus@utfpr.edu.br

Four-Step Sequencer 10



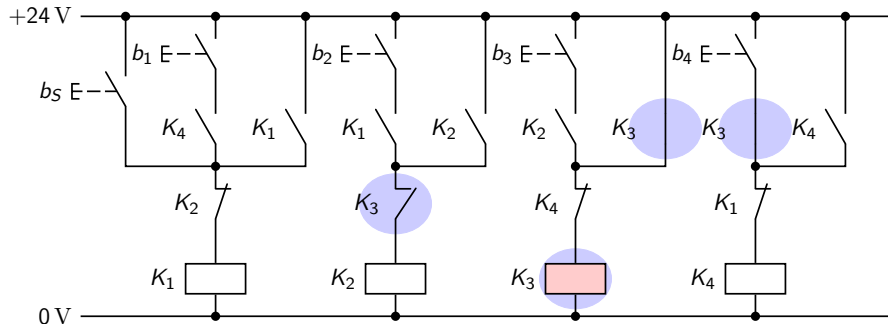
Copyright (C) 2018-2022 by Luis Paulo Laus, laus@utfpr.edu.br

Four-Step Sequencer 11



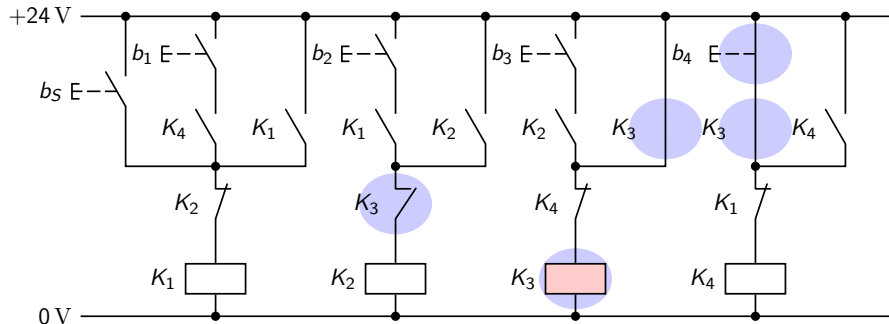
Copyright (C) 2018-2022 by Luis Paulo Laus, laus@utfpr.edu.br

Four-Step Sequencer 12



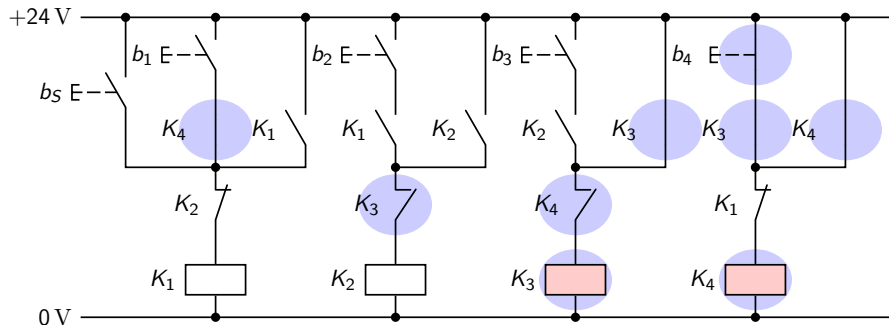
Copyright (C) 2018-2022 by Luis Paulo Laus, laus@utfpr.edu.br

Four-Step Sequencer 13



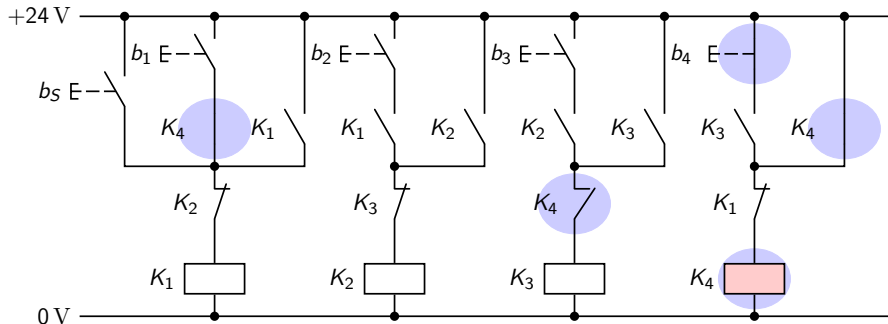
Copyright (C) 2018-2022 by Luis Paulo Laus, laus@utfpr.edu.br

Four-Step Sequencer 14



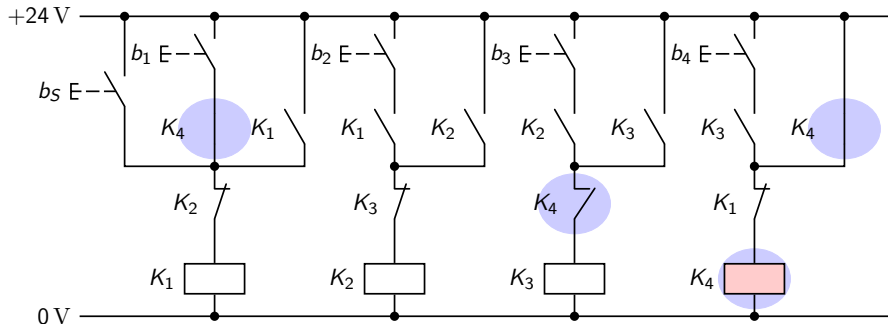
Copyright (C) 2018-2022 by Luis Paulo Laus, laus@utfpr.edu.br

Four-Step Sequencer 15



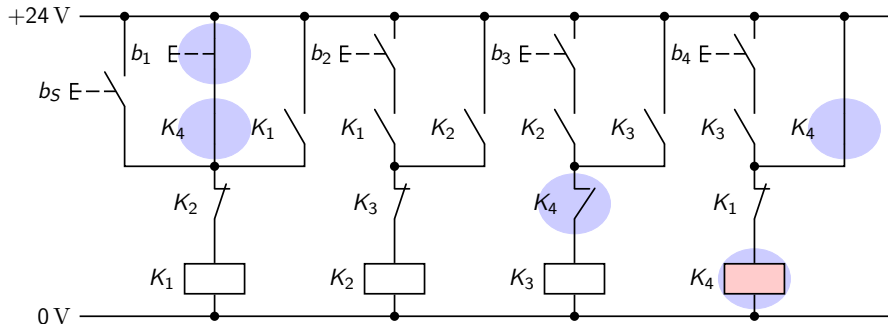
Copyright (C) 2018-2022 by Luis Paulo Laus, laus@utfpr.edu.br

Four-Step Sequencer 16



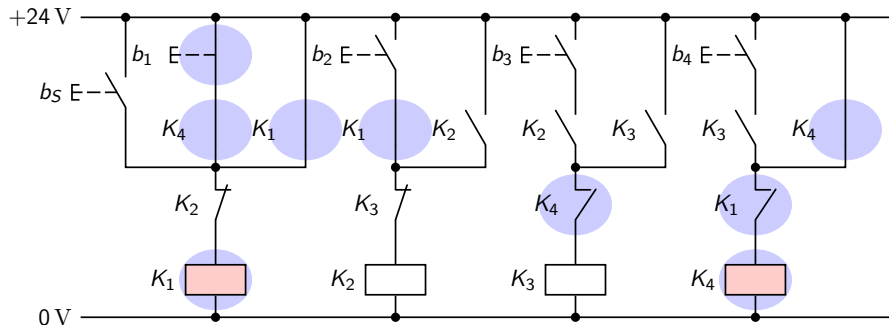
Copyright (C) 2018-2022 by Luis Paulo Laus, laus@utfpr.edu.br

Four-Step Sequencer 17



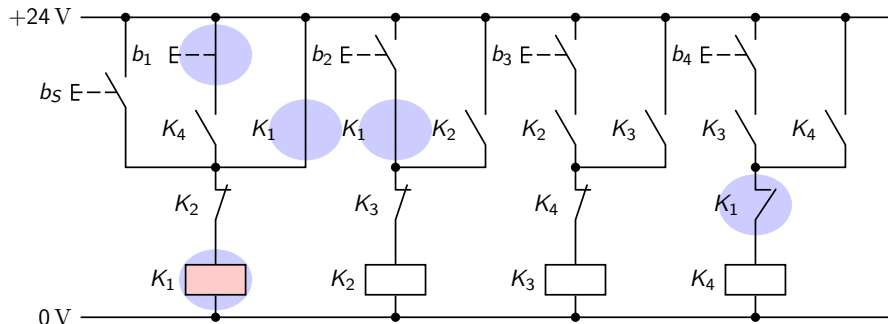
Copyright (C) 2018-2022 by Luis Paulo Laus, laus@utfpr.edu.br

Four-Step Sequencer 18



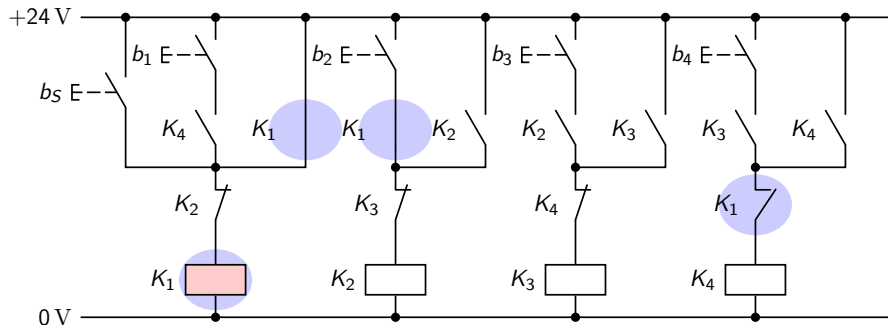
Copyright (C) 2018-2022 by Luis Paulo Laus, laus@utfpr.edu.br

Four-Step Sequencer 19



Copyright (C) 2018-2022 by Luis Paulo Laus, laus@utfpr.edu.br

Four-Step Sequencer 20



Copyright (C) 2018-2022 by Luis Paulo Laus, laus@utfpr.edu.br