

C64GS TECH DATA

NOVEMBER, 1990

PN-400401-01

SPECIFICATIONS

FEATURES

<i>MICROPROCESSOR:</i>	6510A, 1MHz clock — Compatible with 6502
<i>MEMORY:</i>	64K
<i>ROM:</i>	20K ROM standard includes operating system
<i>DISPLAY:</i>	40 columns x 25 lines of text
<i>COLOURS:</i>	16 background, border and characters
<i>DISPLAY MODE:</i>	Text characters — High resolution graphics
<i>RESOLUTION:</i>	320 x 200 pixels
<i>SPRITES:</i>	8 independent sprites, each consists of 24 x 21 pixels and up to 4 colours, each independently expandable horizontally and vertically
<i>SOUND:</i>	6581 Sound Interface Device includes 3 independent tone generators
<i>PORTS:</i>	ROM cartridge port, 2 joystick ports

SYSTEM INTERFACES

SIDE PANEL CONNECTIONS

<i>POWER CONNECTOR:</i>	Uses standard C64 power supply
<i>POWER SWITCH:</i>	Supplies power to the system
<i>JOYSTICK PORTS:</i>	Two standard DB9 connectors

TOP CONNECTIONS

<i>CARTRIDGE SLOT:</i>	The rectangular slot accepts program or game cartridges
------------------------	---

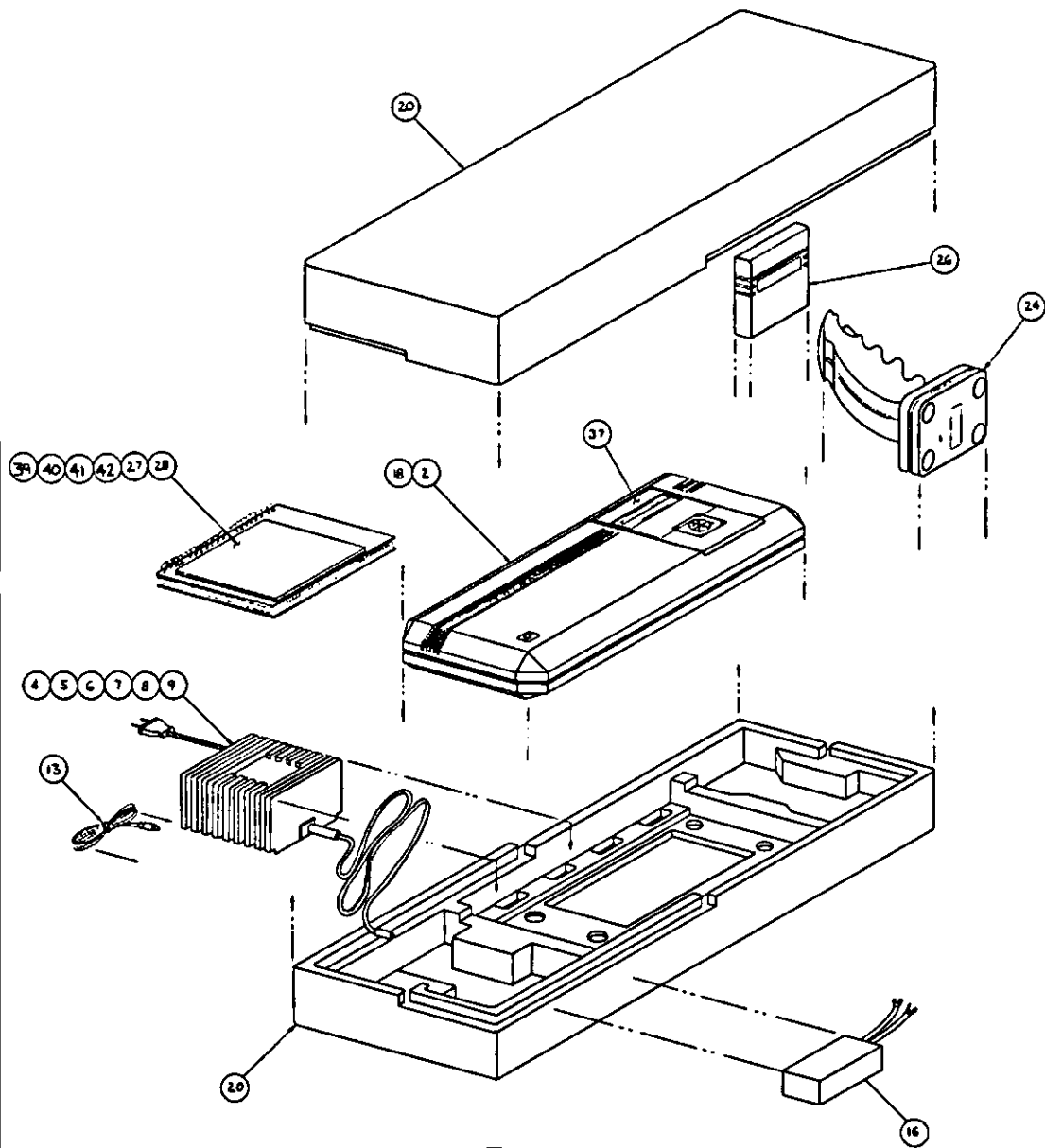
REAR CONNECTIONS

<i>MODULATOR SWITCH:</i>	A switch is provided on the modulator to change the audio carrier between 6MHz (UK) and 5.5MHz (continental Europe).
<i>RF OUTPUT:</i>	Supplies both the picture and sound to a PAL television set.
<i>AUDIO/VIDEO OUTPUT:</i>	This is a C64 style 8 pin DIN connector for Luma Chroma Audio connections to a PAL monitor

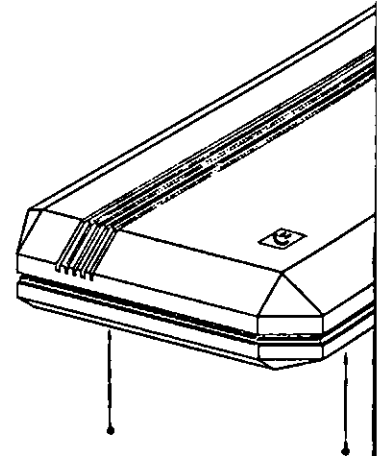
POWER REQUIREMENTS

240V, 50Hz

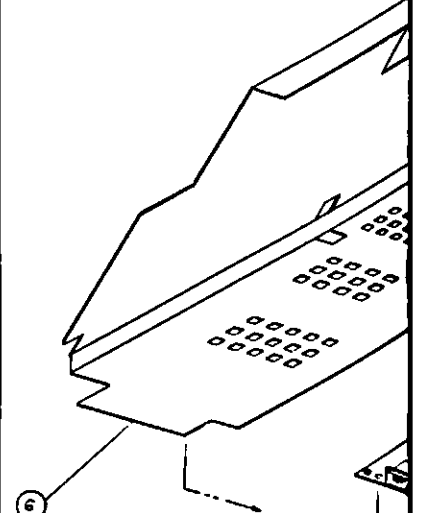
SHIPPING ASSEMBLY



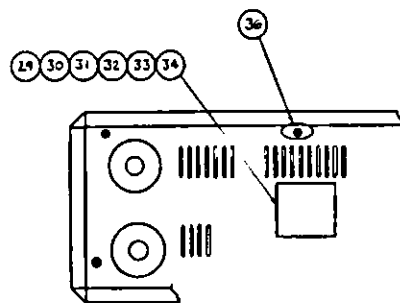
MAIN ASSEMBLY



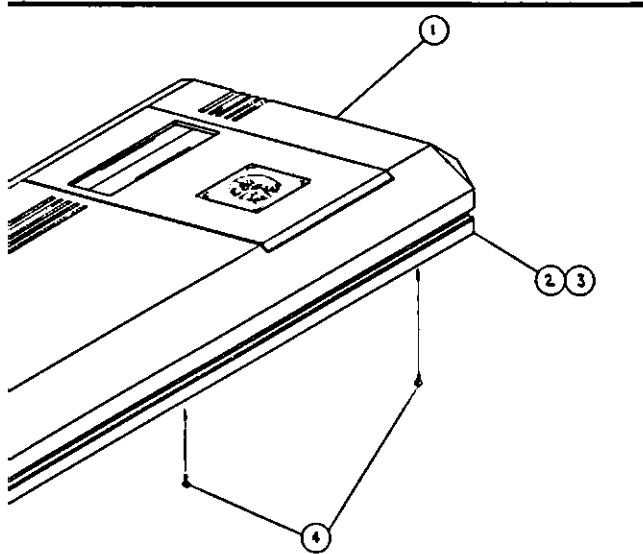
BOTTOM CASE ASSEMBLY



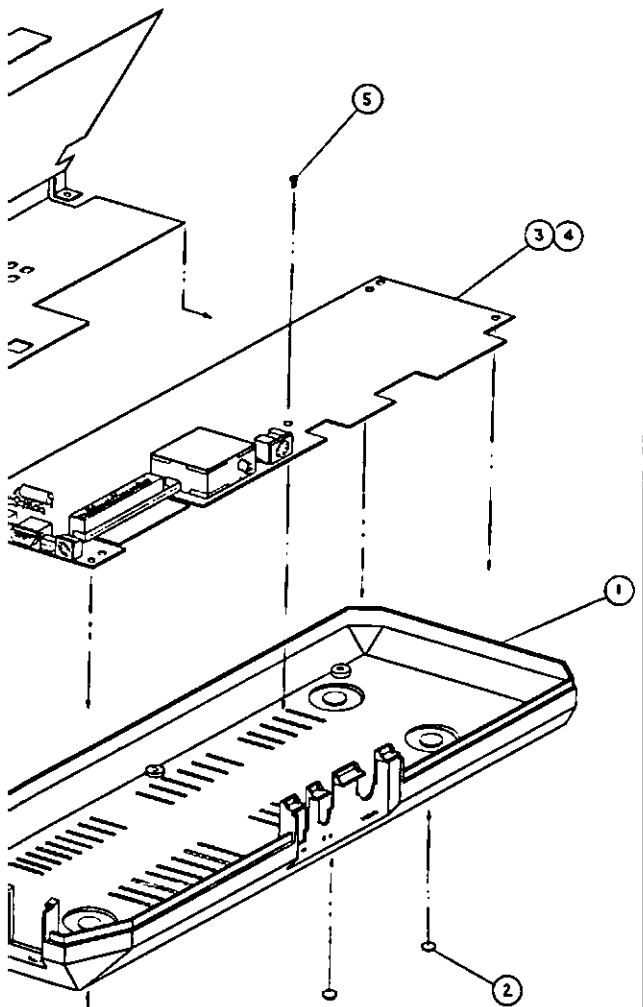
REF. NO.	PART NO.	PART NAME
1	363494-01	MAIN ASSY (NTSC)
2	363494-02	MAIN ASSY (PAL)
4	251053-07	POWER SUPPLY SEV
5	251053-09	POWER SUPPLY UL
6	251053-11	POWER SUPPLY VDE
7	251053-12	POWER SUPPLY BSI
8	251053-10	POWER SUPPLY UL/CSA
9	251053-13	POWER SUPPLY SEV SUB
	251053-15	POWER SUPPLY SAA
13	251846-01	CABLE, RF - PAL
16	325228-01	SWITCH, RF - SWEDEN
18	1540025-01	BAG, PLASTIC
19	324257-01	BAG, DRYING AGENT
20	363528-01	END CAP, FOAM
21	363529-01	SLEEVE, C64 CONSOLE
23	363530-01	BOX, MASTER SHIPPING (1/4)
24	363531-01	JOYSTICK
26	363535-01	CARTRIDGE
27	363536-01	MANUAL, C64GS SYSTEM GUIDE
28	363357-01	MANUAL, C64GS GAME GUIDE
29	366386-01	LABEL, RATING (W. GERMAN PROD)
30	366386-02	LABEL, RATING (W. GERMAN PROD)
31	366386-03	LABEL, RATING (HK PROD)
32	366386-04	LABEL, RATING (HK PROD)
33	366386-05	LABEL, RATING (CHINA PROD)
34	366386-06	LABEL, RATING (CHINA PROD)
36	325090-02	STICKER, SEAL
37	366427-01	LABEL, STATIC CLING



CPU BOTTOM

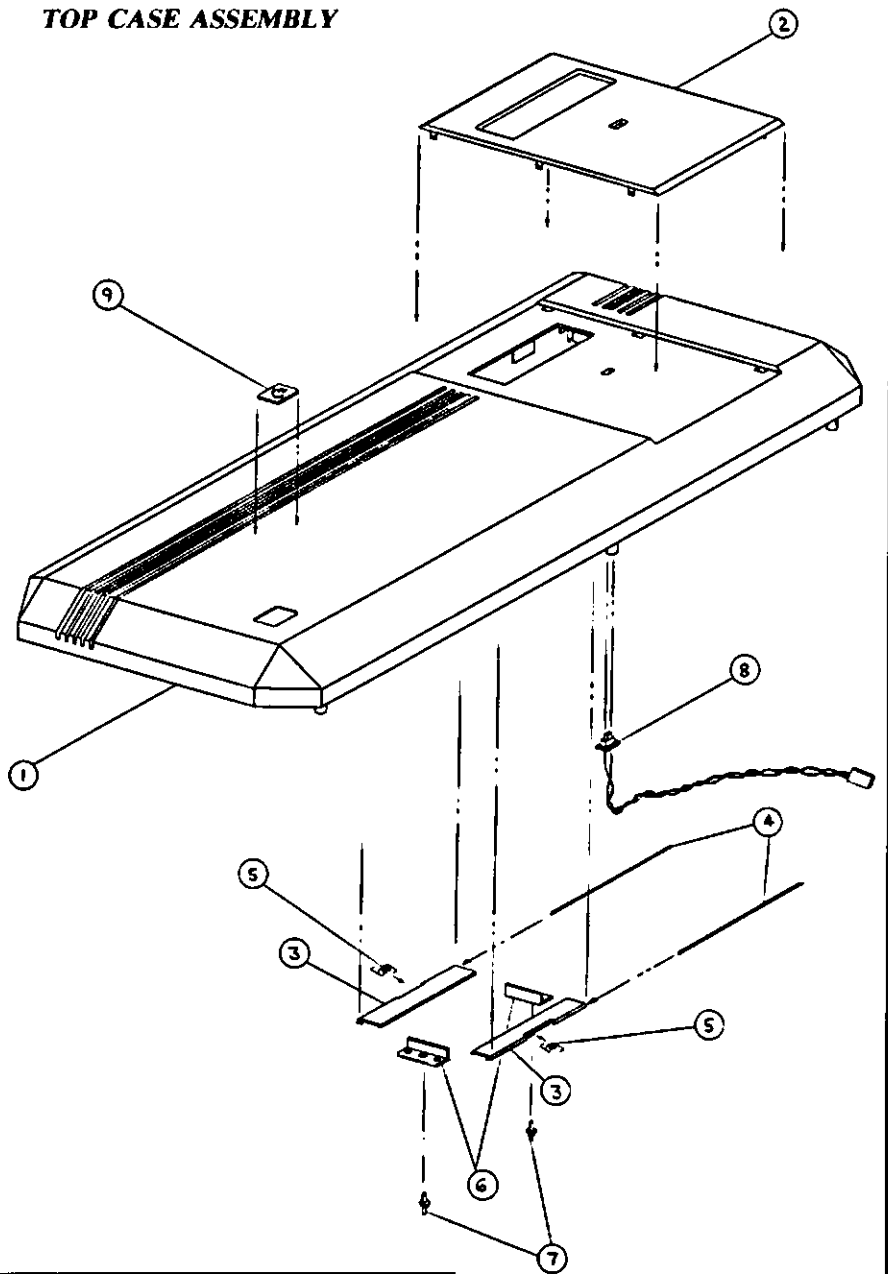


REF. NO.	PART NO.	PART NAME
1	363495-01	TOP CASE ASSY
2	313491-01	BOTTOM CASE ASSY NTSC
3	313491-02	BOTTOM CASE ASSY PAL
4	390177-02	SCREW, SELF TAP #5 TORX 3/8" QTY = 5



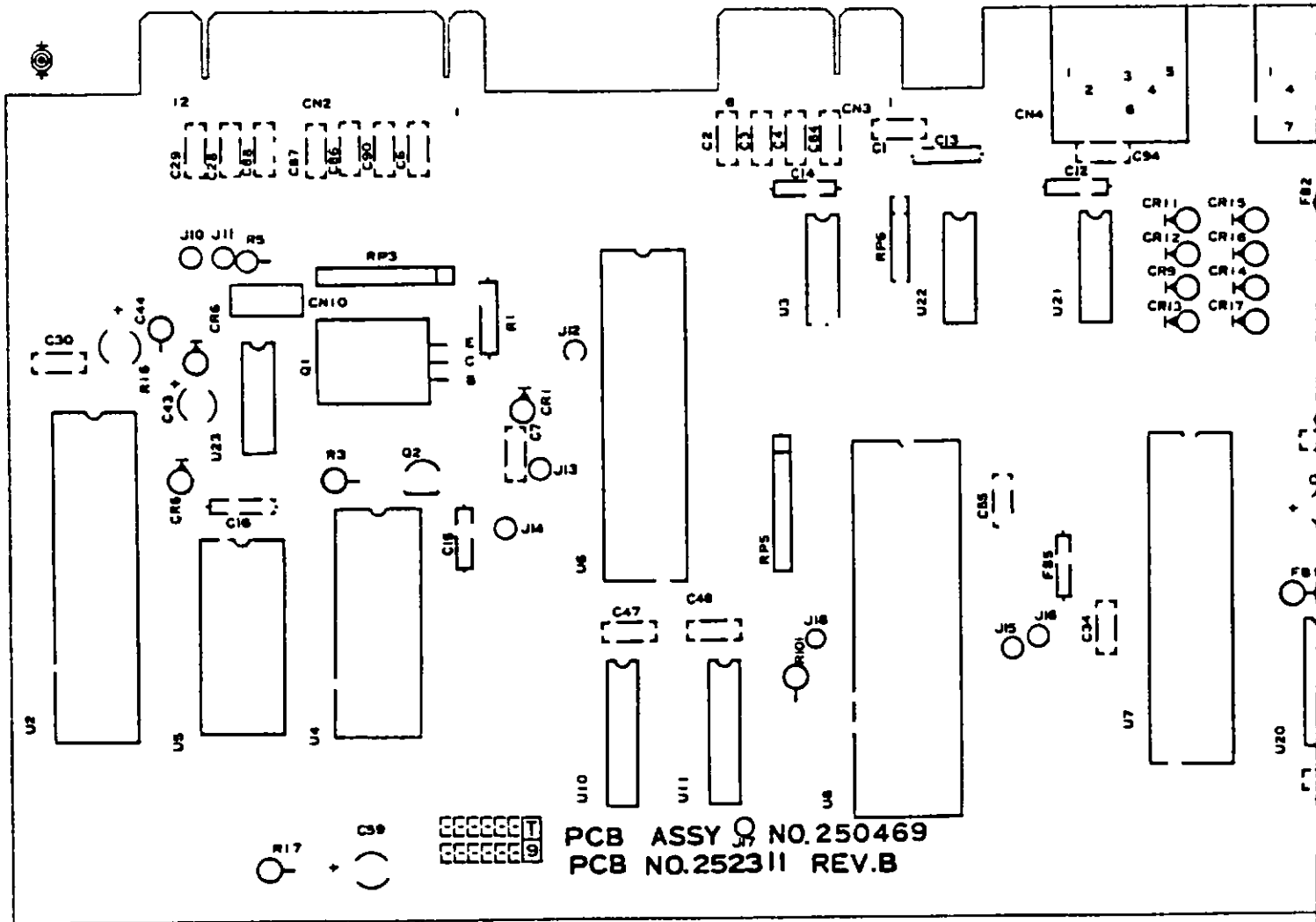
REF. NO.	PART NO.	PART NAME
1	313490-02	BOTTOM CASE
2	950150-03	FOOT, SELF ADHESIVE QTY = 4
3	250469-09	PCB ASSY C64E NTSC
4	250469-10	PCB ASSY PAL
5	906883-03	SCREW SELF TAP M3 X 6.0
6	363532-01	SHIELD, PAPER WRAP AROUND

TOP CASE ASSEMBLY



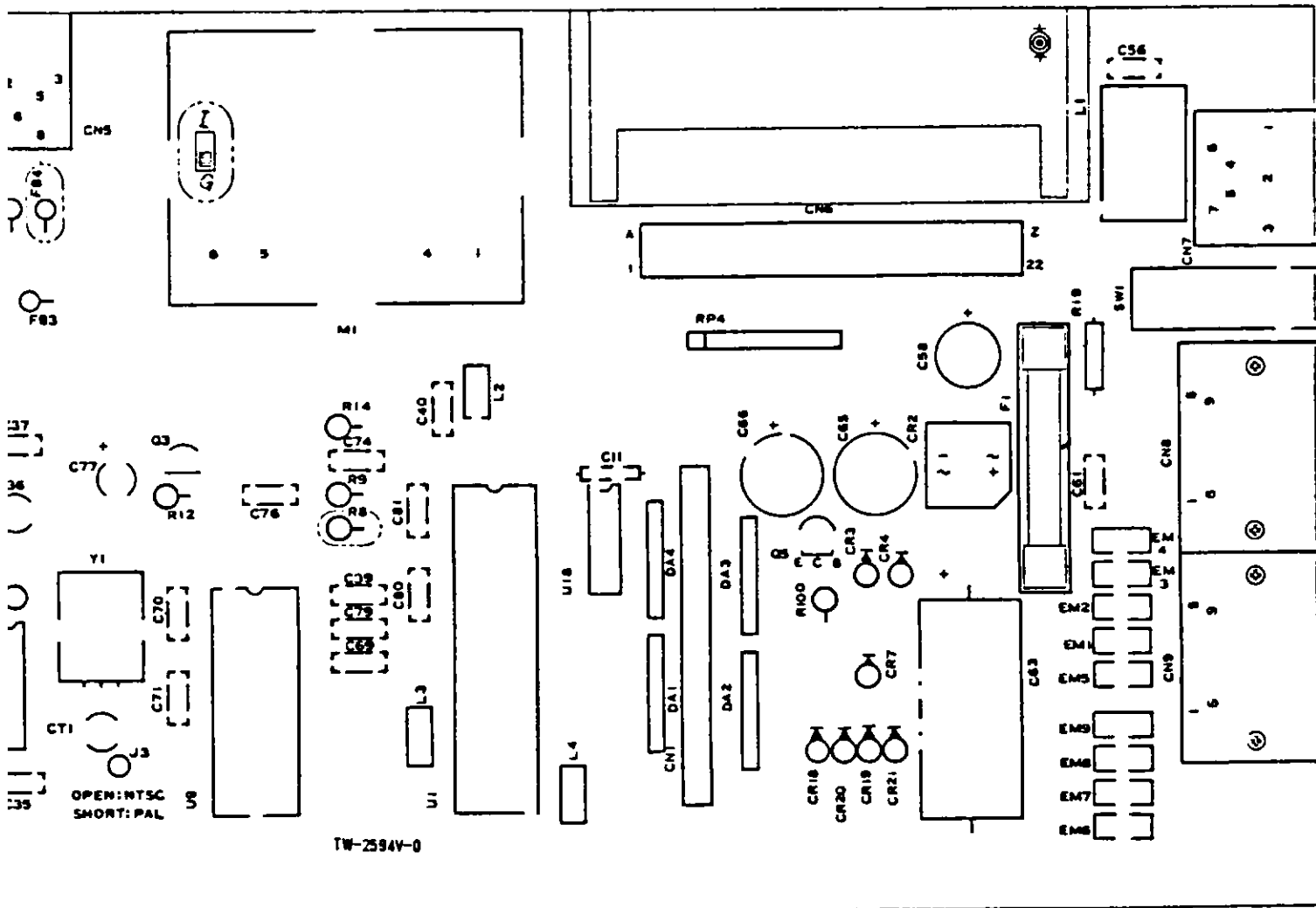
REF. NO.	PART NO.	PART NAME
1	313489-01	TOP CASE
2	313488-01	ACCENT PLATE
3	251191-01	DOOR
4	251194-01	DOOR SHAFT
5	251193-01	DOOR SPRING
6	390866-01	DOOR SHAFT BRACKET
7	363694-01	RIVET, PLASTIC
8	380016-02	LED, POWER ON L + 360MM
9	380133-06	LOGO

**C64 GAME SYSTEM
ASSEMBLY DIAGRAMS**



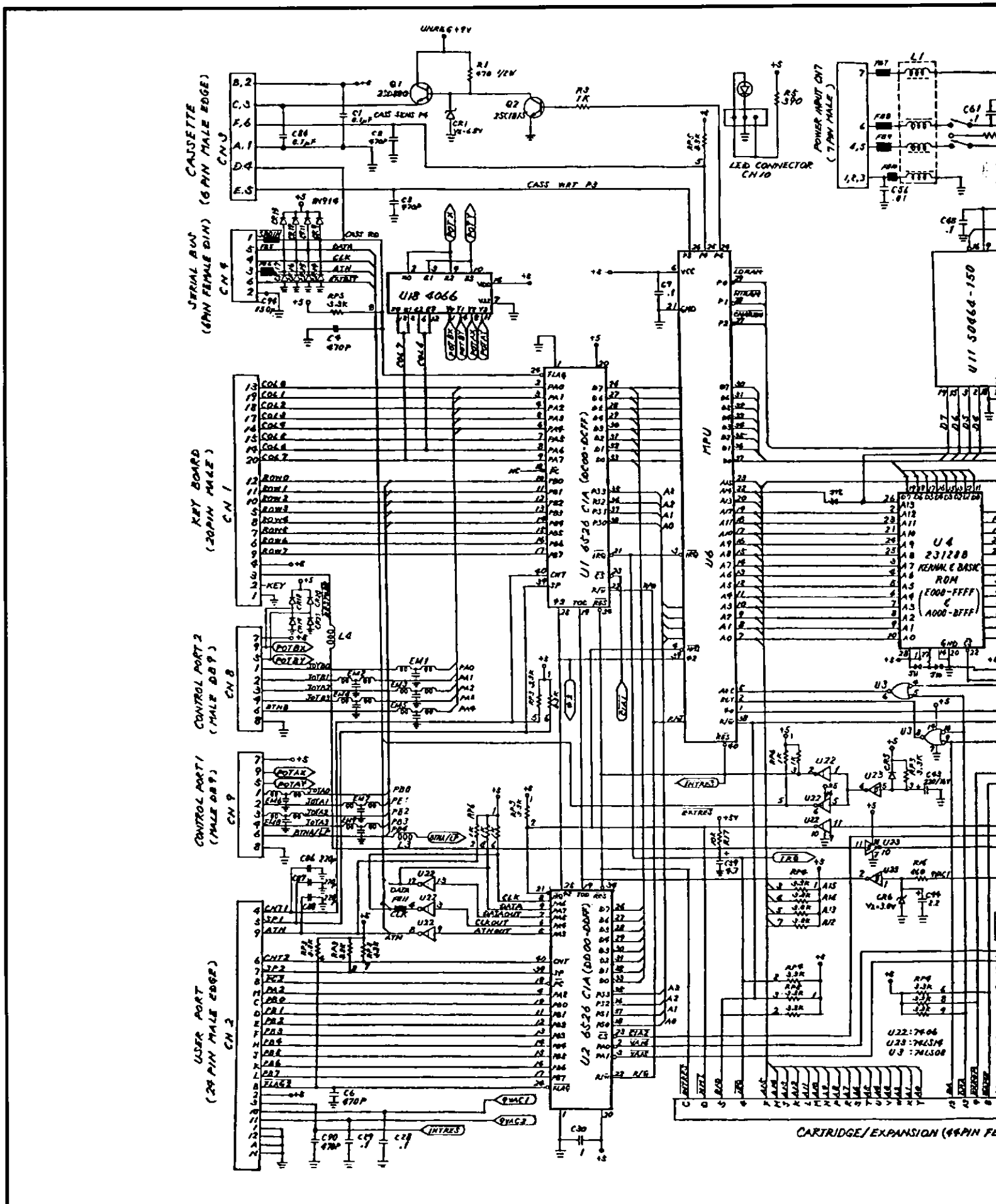
Commodore Internat
PCB Co
PCB Assembly #250

IC COMPONENTS			RESISTORS 5% @ 1/4 WATT, CARBON FILM, UNLESS OTHERWISE SPECIFIED		
318012-01	8500	U6	251068-65	390 OHM	R5
906108-01	6526	U1,U2	251068-69	560 OHM	R16
318027-01	8565	U7	251068-76	1K	R3,R12
318013-01	8580	U9	251068-101	10K	R9,R17
901225-01	2332 ROM CHAR	U5	251068-126	100K	R14
901502-01	4066	U18,U21	251068-51	100 OHM	R101
901522-06	7406	U22	901600-14	10 OHM, 1/2 W, 5%	R19
901521-03	74LS08	U3	251068-82	1.8K	R100
901521-30	74LS14	U23			
251527-08	8701T6	U20			
251527-09	8701L6	SUB FOR 251527-08			
901453-07	2114	U19 (USE W/U8 & REV A PCB)			
390083-02	64K X 4 BIT DRAM, QTY 2	U10,U11			
390083-01	64 X 4 BIT DRAM	SUB FOR 390083-02			
901453-09	2114	U19			
901522-14	7416	U22 SUB FOR IC 7406			
390083-12	64K X 4 BIT DRAM	U10,U11 SUBSTITUTE			
390083-05	64K X 4 BIT DRAM	U10, U11 SUBSTITUTE			
390889-01	128K ROM (GAME) U.S. PAL	U4			
251715-01	MEMORY CONTROLLER	U8 SUB USE W/REV A PCB			
252535-01	MEMORY CONTROLLER	U8			
RESISTOR PACKS			CAPACITORS		
902441-22	1K 6PIN 5EL	RP6	251069-04	CER RAD 470 PF 50V	C2-4,6,76,90
902412-07	3.3K 9PIN 8EL	RP4	251069-12	CER RAD 2000 PF 50V	C80,C81
902442-29	3.3K 8PIN 7EL	RP3,RP5	251075-06	CER RAD 0.1 UF 25V	C1,7,28-30,34,35,37,39,40,47,48,55,61,69,79,84
			251304-71	CER RAD 22000 PF 50V	C70,C71
			251079-06	ELEC 2.2 PF 50V	C44
			900100-11	ELEC RAD 4.7 PF 25V	C59
			900100-01	ELEC RAD 10 PF 25V	C77
			900100-40	ELEC RAD 100 PF 16V	C58
			900100-03	ELEC RAD 220 PF 25V	C65
			900101-52	ELEC RAD 1000 PF 16V	C63
			900100-33	ELEC RAD 47 PF 16V	C36
			900100-18	ELEC RAD 220 PF 16V	C43
			390101-07	ELEC RAD 470 PF 35V	C66
			251074-09	ELEC RAD 22000 PF 25V	C70,C71 SUB FOR 251304-71
			251029-02	TRIMMER 7.7-40 PF	CT-1
			251075-01	CER RAD 0.01 UF	C56



Additional Spare Parts List Components 469-09, -10, REV. B

CONNECTORS		MISCELLANEOUS	
251116-01	7 PIN - POWER	CN7	
252168-01	8 PIN - AUDIO/VIDEO	CN5	
251067-01	9 PIN MINI D - CONTROL PORTS	CN8, CN9	
903332-03	HEADER ASSY 3 PIN	CN10	
251251-01	44 PIN CARD EDGE - EXPANSION	CN6	
MISCELLANEOUS		MISCELLANEOUS (Continued)	
903025-08	FERRITE BEAD LONG	252026-01	DIODE BRIDGE RECT S2VB10
252214-01	FERRITE BEAD 2 TURN	251026-02	DIODE BRIDGE RECT DBA20B
325563-01	FERRITE BEAD	251026-03	DIODE BRIDGE RECT DBA20C
		251842-01	EMI FILTER 270PF
252341-01	RF CHOKE COIL	390257-03	EMI FILTER 270PF
251878-02	LINE FILTER 8 TERMINAL	902694-01	TRANSISTOR 2SC1815
251878-01	LINE FILTER 8 TERMINAL	902671-01	TRANSISTOR 2SC945
251468-01	CRYSTAL 17.73447 MHZ	251526-01	TRANSISTOR 2SC2458
200018-13	JUMPER WIRE	252338-01	TRANSISTOR NPN 900mW
901151-17	COIL INDUCTOR 2.2	252405-03	MODULATOR - PAL
900750-01	DIODE IN4001	904150-02	SOCKET 16 PIN (USE ON U20)
251819-16	DIODE IN914 R	904150-05	SOCKET 28 PIN (USE ON U4,U9)
251819-01	DIODE IN4148 R	904150-06	SOCKET 40 PIN (USE ON U7)
906103-04	DIODE ZENER RD30EB1	903556-18	FUSE, NORMAL BLD 250V 1.5A
906103-05	DIODE ZENER RD3.0EB2	906102-02	FUSE, CLIP (USE ON F1)
252313-63	DIODE ZENER RD10ESB2	906102-01	FUSE CLIP
		904500-01	SWITCH, ROCKER DPDT
252337-61	DIODE ZENER HZ11A1	363531-01	CARTRIDGE GUIDE - CONSOLE
		906883-03	SCREW SELF TAP M3 X 6 (FOR 9PIN DSUB)
		332299-01	INSULATION TAPES
			CR2
			SUB FOR 251026-01
			SUB FOR 251026-01
			EMI1-9
			DST310-55Y5S271M
			EMI1-9 SUB
			DSS310-55Y5S271M
			Q2,Q3
			Q2,Q3 SUB
			Q2,Q3 SUB
			Q5
			M1
			F1
			SUB FOR 906102-01
			SW1



CAJSETTE
(6 PIN MALE EDGE)
CN 3

SERIAL BUS
(6 PIN FEMALE DIN)
CN 4

KEY BOARD
(20 PIN MALE)
CN 1

CONTROL PORT 2
(MALE DB 9)
CN 8

CONTROL PORT 1
(MALE DB 9)
CN 9

USER PORT
(24 PIN MALE EDGE)
CN 2

LED CONNECTOR
CN 10

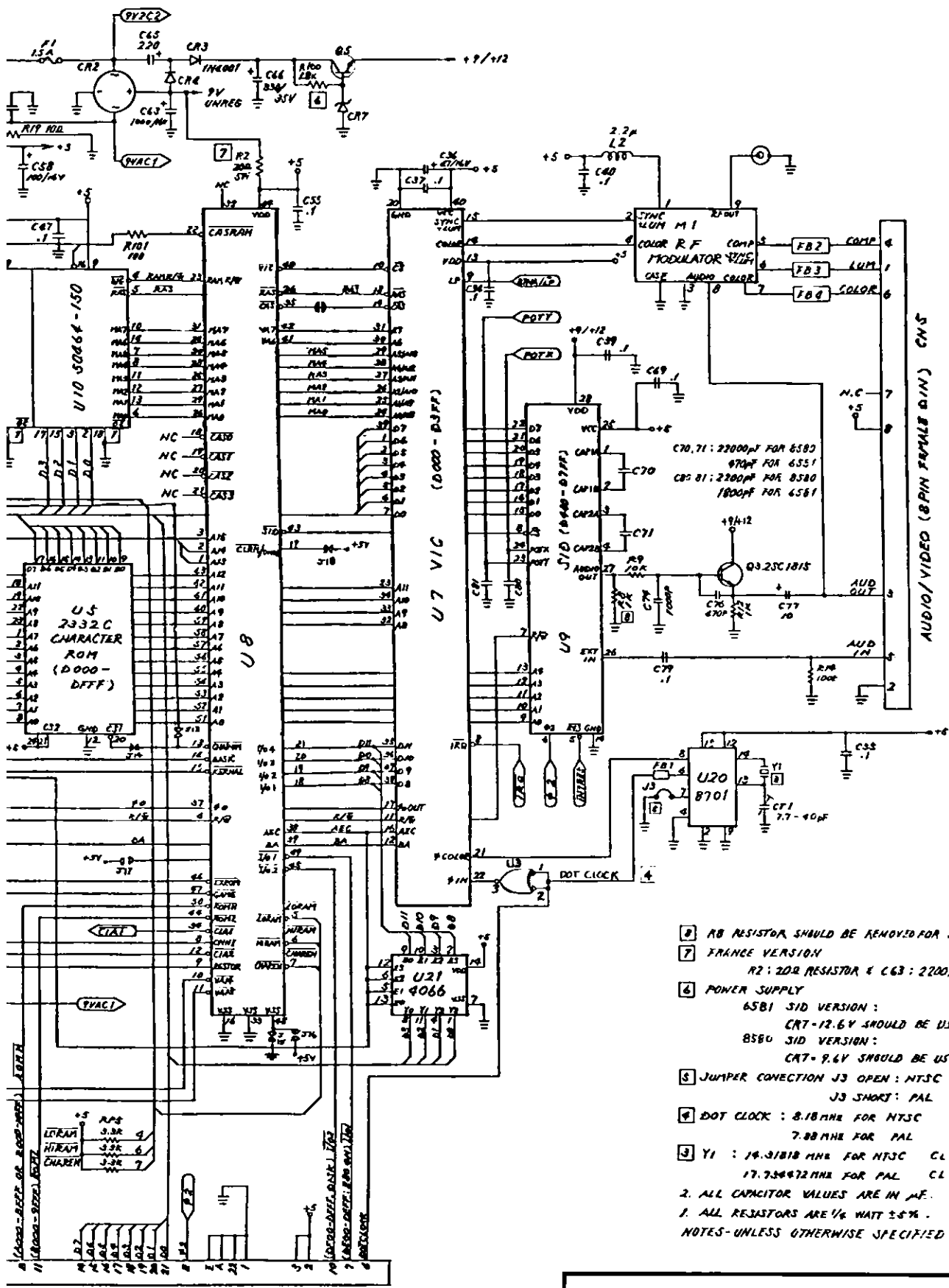
POWER INPUT CNT
(7 PIN MALE)

U11 50864-150

U4
231288
ROM
E000-FFFF
A000-BFFF

U22: 7406
U23: 7465M
U3: 74LS08

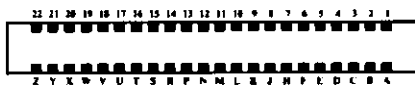
CARTRIDGE/EXPANSION (46 PIN FE)



- 8 NO RESISTOR SHOULD BE REMOVED FOR 8580 SID.
 - 7 FRANCE VERSION
R2: 20R RESISTOR & C63: 2200µF CAPACITOR REQUIRED
 - 6 POWER SUPPLY
6581 SID VERSION:
CRT-12.6V SHOULD BE USED
8580 SID VERSION:
CAT-9.6V SHOULD BE USED
 - 5 JUMPER CONNECTION J3 OPEN: NTSC
J3 SHORT: PAL
 - 4 DOT CLOCK: 8.18MHz FOR NTSC
7.88MHz FOR PAL
 - 3 Y1: 14.31818 MHz FOR NTSC CL-18P
17.734972 MHz FOR PAL CL-18P
2. ALL CAPACITOR VALUES ARE IN µF.
1. ALL RESISTORS ARE 1/8 WATT 5%.
- NOTES-UNLESS OTHERWISE SPECIFIED:

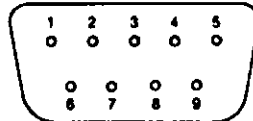
Schematic #252312, Rev. B
Sheet 1 of 1

CARTRIDGE EXPANSION SLOT CN6



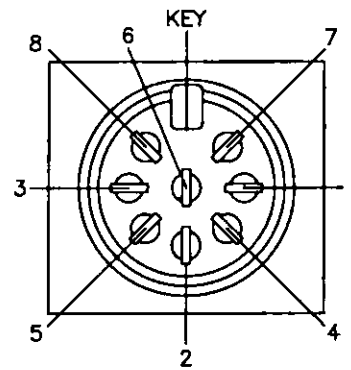
PIN	TYPE	PIN	TYPE
1	GND	A	GND
2	+5V	B	ROMH
3	+5V	C	RESET
4	IRQ	D	NMI
5	R/W	E	S 02
6	Dot Clock	F	A15
7	I/O 1	H	A14
8	GAME	J	A13
9	EXROM	K	A12
10	I/O 2	L	A11
11	ROML	M	A10
12	BA	N	A9
13	DMA	P	A8
14	D7	R	A7
15	D6	S	A6
16	D5	T	A5
17	D4	U	A4
18	D3	V	A3
19	D2	W	A2
20	D1	X	A1
21	D0	Y	A0
22	GND	Z	GND

JOYSTICK CN8, CN9



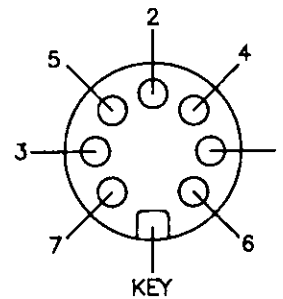
PIN	PORT 1 TYPE	PORT 2 TYPE
1	JOYA0	JOYB0
2	JOYA1	JOYB1
3	JOYA2	JOYB2
4	JOYA3	JOYB3
5	POT AY	POT BY
6	BUTTON A/LP	BUTTON B
7	+5V (Max 50MA)	+5V
8	GND	GND
9	POT AX	POT BX

AUDIO/VIDEO CN5



PIN	TYPE	PIN	TYPE
1	LUM	5	AUD/IN
2	GND	6	COLOR
3	AUD/OUT	7	NC
4	COMPOSITE	8	+5

POWER CN7



PIN	TYPE	PIN	TYPE
1	NC	5	+5 VDC
2	GND	6	9VAC
3	NC	7	9 VAC
4	NC		

TROUBLESHOOTING GUIDE C64 GAMES SYSTEM (C64 E PCB)

SYMPTOM

- Abnormal colors appear in text
- Wrong characters are displayed
- System does not reset
- White band scrolls down the screen (60/50 Hz Hum)
- Wavy screen after system warms up
- Black band scrolls through screen when system warms up
- Blank screen on power up
- System powers up with all characters displayed as blocks
- Intermittent display
- Joystick does not operate correctly
- Wrong frequency
- No text is displayed
- Graphic characters displayed instead of text displayed
- No Sound

POSSIBLE SOLUTION

- Check U19 (2114 RAM); U21 (4066); U7 (VIC)
- Check RAM (U10,U11)
- Check U20 (556 IC)
- Check External Power Supply; VR2 (5V regulator)
- Check External Power Supply — U20, U7
- Check External Power Supply; CR2, C65, C66
- Check External Power Supply; U4 (Kernal/Basic ROM); U8 (MMU); U6 (MPU); U7 (VIC); U22, U23; U10, U11 (RAM); C22
- Check U8 (MMU); U7 (VIC)
- Check Connectors — C63, C66
- Check U1 (CIA); U18 (4066); EMI 1-9
- Check C70, C41
- Check U4, U5 (ROMS); U2 (CIA); U7 (VIC)
- Check U7 (VIC); U2 (CIA); U8 (MMU)
- Check U19 (SID); F1 (Blown fuse)