

Internet Engineering Task Force (IETF)  
Request for Comments: 5945  
Category: Informational  
ISSN: 2070-1721

F. Le Faucheur  
Cisco  
J. Manner  
Aalto University  
D. Wing  
Cisco  
A. Guillou  
SFR  
October 2010

## Resource Reservation Protocol (RSVP) Proxy Approaches

### Abstract

The Resource Reservation Protocol (RSVP) can be used to make end-to-end resource reservations in an IP network in order to guarantee the quality of service required by certain flows. RSVP assumes that both the data sender and receiver of a given flow take part in RSVP signaling. Yet, there are use cases where resource reservation is required, but the receiver, the sender, or both, is not RSVP-capable. This document presents RSVP proxy behaviors allowing RSVP routers to initiate or terminate RSVP signaling on behalf of a receiver or a sender that is not RSVP-capable. This allows resource reservations to be established on a critical subset of the end-to-end path. This document reviews conceptual approaches for deploying RSVP proxies and discusses how RSVP reservations can be synchronized with application requirements, despite the sender, receiver, or both not participating in RSVP. This document also points out where extensions to RSVP (or to other protocols) may be needed for deployment of a given RSVP proxy approach. However, such extensions are outside the scope of this document. Finally, practical use cases for RSVP proxy are described.

## Status of This Memo

This document is not an Internet Standards Track specification; it is published for informational purposes.

This document is a product of the Internet Engineering Task Force (IETF). It represents the consensus of the IETF community. It has received public review and has been approved for publication by the Internet Engineering Steering Group (IESG). Not all documents approved by the IESG are a candidate for any level of Internet Standard; see Section 2 of RFC 5741.

Information about the current status of this document, any errata, and how to provide feedback on it may be obtained at <http://www.rfc-editor.org/info/rfc5945>.

## Copyright Notice

Copyright (c) 2010 IETF Trust and the persons identified as the document authors. All rights reserved.

This document is subject to BCP 78 and the IETF Trust's Legal Provisions Relating to IETF Documents (<http://trustee.ietf.org/license-info>) in effect on the date of publication of this document. Please review these documents carefully, as they describe your rights and restrictions with respect to this document. Code Components extracted from this document must include Simplified BSD License text as described in Section 4.e of the Trust Legal Provisions and are provided without warranty as described in the Simplified BSD License.

This document may contain material from IETF Documents or IETF Contributions published or made publicly available before November 10, 2008. The person(s) controlling the copyright in some of this material may not have granted the IETF Trust the right to allow modifications of such material outside the IETF Standards Process. Without obtaining an adequate license from the person(s) controlling the copyright in such materials, this document may not be modified outside the IETF Standards Process, and derivative works of it may not be created outside the IETF Standards Process, except to format it for publication as an RFC or to translate it into languages other than English.

Table of Contents

- 1. Introduction .....3
- 2. RSVP Proxy Behaviors .....6
  - 2.1. RSVP Receiver Proxy .....6
  - 2.2. RSVP Sender Proxy .....7
- 3. Terminology .....7
- 4. RSVP Proxy Approaches .....9
  - 4.1. Path-Triggered Receiver Proxy .....9
    - 4.1.1. Mechanisms for Maximizing the Reservation Span .....11
  - 4.2. Path-Triggered Sender Proxy for Reverse Direction .....15
  - 4.3. Inspection-Triggered Proxy .....18
  - 4.4. STUN-Triggered Proxy .....21
  - 4.5. Application\_Entity-Controlled Proxy .....23
    - 4.5.1. Application\_Entity-Controlled Sender Proxy  
Using "RSVP over GRE" .....26
    - 4.5.2. Application\_Entity-Controlled Proxy via Co-Location .....28
  - 4.6. Policy\_Server-Controlled Proxy .....29
  - 4.7. RSVP-Signaling-Triggered Proxy .....32
  - 4.8. Reachability Considerations .....33
- 5. Security Considerations .....34
- 6. Acknowledgments .....36
- 7. References .....36
  - 7.1. Normative References .....36
  - 7.2. Informative References .....37
- Appendix A. Use Cases for RSVP Proxies .....40
  - A.1. RSVP-Based VoD Admission Control in Broadband  
Aggregation Networks .....40
  - A.2. RSVP-Based Voice/Video Connection Admission Control  
(CAC) in Enterprise WAN .....43
  - A.3. RSVP Proxies for Mobile Access Networks .....44
  - A.4. RSVP Proxies for Reservations in the Presence of IPsec  
Gateways .....46

1. Introduction

Guaranteed Quality of Service (QoS) for some applications with tight requirements (such as voice or video) may be achieved by reserving resources in each node on the end-to-end path. The main IETF protocol for these resource reservations is the Resource Reservation Protocol (RSVP), as specified in [RFC2205]. RSVP does not require that all intermediate nodes support RSVP; however, it assumes that both the sender and the receiver of the data flow support RSVP. There are environments where it would be useful to be able to reserve resources for a flow on at least a subset of the flow path even when the sender or the receiver (or both) is not RSVP-capable (for example, from the sender to the network edge, or from edge to edge, or from the network edge to the receiver).

Since the data sender or receiver may be unaware of RSVP, there are two types of RSVP proxies. When the sender is not using RSVP, an entity in the network must operate on behalf of the data sender, and in particular, generate RSVP Path messages, and eventually receive, process, and sink Resv messages. We refer to this entity as the RSVP Sender Proxy. When the receiver is not using RSVP, an entity in the network must receive Path messages sent by a data sender (or by an RSVP Sender Proxy), sink those, and return Resv messages on behalf of the data receiver(s). We refer to this entity as the RSVP Receiver Proxy. The RSVP proxies need to be on the data path in order to establish the RSVP reservation; note, however, that some of the approaches described in this document allow the RSVP proxies to be controlled/triggered by an off-path entity.

The flow sender and receiver generally have at least some (if not full) awareness of the application producing or consuming that flow. Hence, the sender and receiver are in a natural position to synchronize the establishment, maintenance, and teardown of the RSVP reservation with the application requirements. Similarly, they are in a natural position to determine the characteristics of the reservation (bandwidth, QoS service, etc.) that best match the application requirements. For example, before completing the establishment of a multimedia session, the endpoints may decide to establish RSVP reservations for the corresponding flows. Similarly, when the multimedia session is torn down, the endpoints may decide to tear down the corresponding RSVP reservations. For instance, [RFC3312] discusses how RSVP reservations can be very tightly synchronized by endpoints that uses the Session Initiation Protocol (SIP) ([RFC3261]) for session control.

When RSVP reservation establishment, maintenance, and teardown are to be handled by RSVP proxies on behalf of an RSVP sender or receiver, a key challenge for the RSVP proxy is to determine when the RSVP reservations need to be established, maintained, and torn down, and to determine what the characteristics are (bandwidth, QoS, etc.) of the required RSVP reservations matching the application requirements. We refer to this problem as the synchronization of RSVP reservations with application-level requirements.

The IETF Next Steps in Signaling (NSIS) working group has specified a new QoS signaling protocol: the QoS NSIS Signaling Layer Protocol (NSLP) ([RFC5974]). This protocol also includes the notion of proxy operation, and terminating QoS signaling on nodes that are not the actual data senders or receivers (see Section 4.8, "Proxy Mode", of [RFC5974]). This is the same concept as the proxy operation for RSVP discussed in this document. One difference, though, is that the NSIS framework does not consider multicast resource reservations, which RSVP provides today.

Section 2 introduces the notion of RSVP Sender Proxy and RSVP Receiver Proxy. Section 3 defines useful terminology. Section 4 then presents several fundamental RSVP proxy approaches, discussing how they achieve the necessary synchronization of RSVP reservations with application-level requirements. Appendix A includes more detailed use cases for the proxies in various real-life deployment environments.

It is important to keep in mind that the strongly recommended RSVP deployment model remains end-to-end as assumed in [RFC2205] with RSVP support on the sender and the receiver. The end-to-end model allows the most effective synchronization between the reservation and application requirements. Also, when compared to the end-to-end RSVP model, the use of RSVP proxies involves additional operational burden and/or imposes some topological constraints. The additional operational burden comes in particular from additional configuration needed to activate the RSVP proxies and to help them identify for which senders/receivers a proxy behavior is required and for which senders/receivers it is not (so that an RSVP proxy does not perform establishment of reservations on behalf of devices that are capable of doing so themselves but would then be prevented -- without notification -- from doing so by the RSVP proxy). The additional topological constraints come in particular from the requirement to have one RSVP Receiver Proxy on the path from any sender to every non-RSVP-capable device (so that a non-RSVP-capable device is always taken care of by an RSVP proxy) and the objective to have only one such Receiver Proxy on the path from any sender to every non-RSVP-capable device (so that an RSVP Receiver Proxy does not short-circuit another RSVP Receiver Proxy closer to the non-RSVP-capable device, thereby reducing the span of the RSVP reservation and the associated benefits). In the case of the Path-Triggered Receiver Proxy approach, the operational burden and topological constraints can be significantly alleviated using the mechanisms discussed in Section 4.1.1.

It is also worth noting that RSVP operations on end-systems are considerably simpler than on a router, and consequently that RSVP implementations on end-systems are very lightweight (particularly considering modern end-systems' capabilities, including mobile and portable devices). For example, end-system RSVP implementations are reported to only consume low tens of kilobytes of code space. Hence, this document should not be seen as an encouragement to depart from the end-to-end RSVP model. Its purpose is only to allow RSVP deployment in special environments where RSVP just cannot be used on some senders and/or some receivers for reasons specific to the environment.

2. RSVP Proxy Behaviors

This section discusses the two types of proxies: the RSVP Sender Proxy operating on behalf of data senders, and the RSVP Receiver Proxy operating for data receivers. The concepts presented in this document are not meant to deprecate the traditional [RFC2205] RSVP end-to-end model: end-to-end RSVP reservations are still expected to be used whenever possible. However, RSVP proxies are intended to facilitate RSVP deployment where end-to-end RSVP signaling is not possible.

2.1. RSVP Receiver Proxy

With conventional end-to-end RSVP operations, RSVP reservations are controlled by receivers of data. After a data sender has sent an RSVP Path message towards the intended recipient(s), each recipient that requires a reservation generates a Resv message. If, however, a data receiver is not running the RSVP protocol, the last-hop RSVP router will still send the Path message to the data receiver, which will silently drop this message as an IP packet with an unknown protocol number.

In order for reservations to be made in such a scenario, one of the RSVP routers on the data path determines that the data receiver will not be participating in the resource reservation signaling and performs RSVP Receiver Proxy functionality on behalf of the data receiver. This is illustrated in Figure 1. Various mechanisms by which the RSVP proxy router can gain the required information are discussed later in the document.

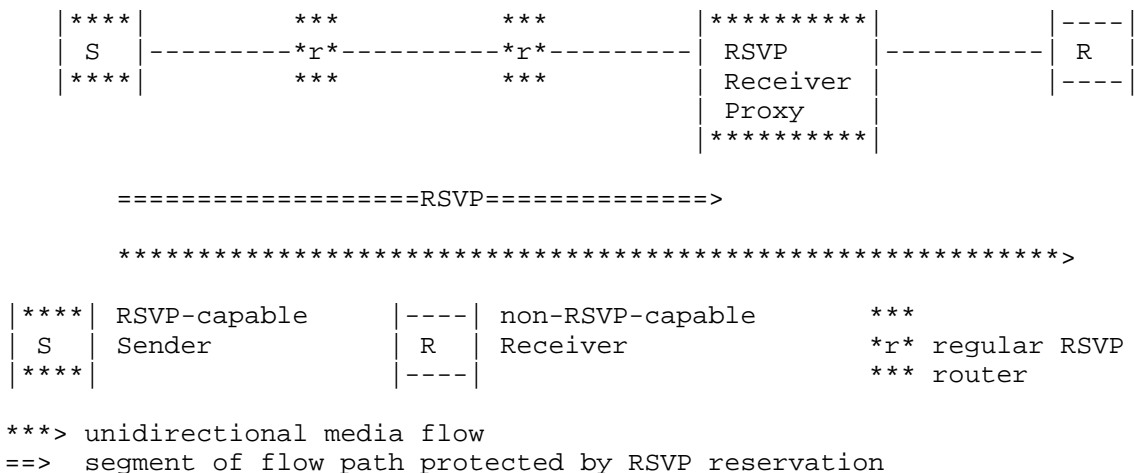


Figure 1: RSVP Receiver Proxy

2.2. RSVP Sender Proxy

With conventional end-to-end RSVP operations, if a data sender is not running the RSVP protocol, a resource reservation cannot be set up; a data receiver alone cannot reserve resources without Path messages first being received. Thus, even if the data receiver is running RSVP, it still needs some node on the data path to send a Path message towards the data receiver.

In that case, an RSVP node on the data path determines that it should generate Path messages to allow the receiver to set up the resource reservation. This node is referred to as the RSVP Sender Proxy and is illustrated in Figure 2. This case presents additional challenges over the Receiver Proxy case, since the RSVP Sender Proxy must be able to generate all the information in the Path message (such as the SENDER\_TSPEC object) without the benefit of having previously received any RSVP message. An RSVP Receiver Proxy, by contrast, only needs to formulate an appropriate Resv message in response to an incoming Path message. Mechanisms to operate an RSVP Sender Proxy are discussed later in this document.

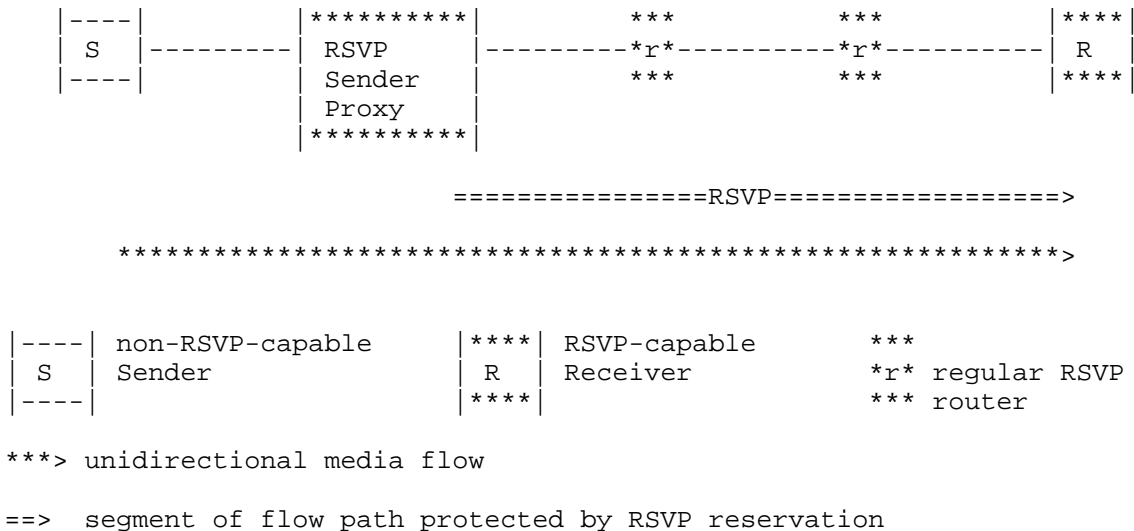


Figure 2: RSVP Sender Proxy

3. Terminology

- o On-Path: located on the data path of the actual flow of application data (regardless of where it is located with respect to the application-level signaling path).

- o Off-Path: not On-Path.
- o RSVP-capable (or RSVP-aware): supporting the RSVP protocol as per [RFC2205].
- o RSVP Receiver Proxy: an RSVP-capable router performing, on behalf of a receiver, the RSVP operations that would normally be performed by an RSVP-capable receiver if end-to-end RSVP signaling were used. Note that while RSVP is used upstream of the RSVP Receiver Proxy, RSVP is not used downstream of the RSVP Receiver Proxy.
- o RSVP Sender Proxy: an RSVP-capable router performing, on behalf of a sender, the RSVP operations that would normally be performed by an RSVP-capable sender if end-to-end RSVP signaling were used. Note that while RSVP is used downstream of the RSVP Sender Proxy, RSVP is not used upstream of the RSVP Sender Proxy.
- o Regular RSVP Router: an RSVP-capable router that is not behaving as an RSVP Receiver Proxy or as an RSVP Sender Proxy.
- o Application-level signaling: signaling between entities operating above the IP layer and that are aware of the QoS requirements for actual media flows. SIP ([RFC3261]) and the Real Time Streaming Protocol (RTSP) ([RFC2326]) are examples of application-level signaling protocols. The Session Description Protocol (SDP) ([RFC4566]) is an example of a protocol that can be used by the application-level signaling protocol and from which some of the RSVP reservation parameters (addresses, ports, and bandwidth) might be derived. RSVP is clearly not an application-level signaling protocol.

The roles of the RSVP Receiver Proxy, RSVP Sender Proxy, and regular RSVP router are all relative to a given unidirectional flow. A given router may act as the RSVP Receiver Proxy for a flow, as the RSVP Sender Proxy for another flow, and as a regular RSVP router for yet another flow.

Some application-level signaling protocols support negotiation of QoS reservations for a media stream. For example, with [RFC3312], resource reservation requirements are explicitly signaled during session establishment using SIP and SDP. Also, [RFC5432] defines a mechanism to negotiate which resource reservation mechanism is to be used for a particular media stream. Clearly, these reservation negotiation mechanisms can be invoked and operate effectively when both ends support RSVP (and obviously RSVP proxies are not used). When both ends do not support RSVP (and RSVP proxies are used at both ends), these mechanisms will simply not be invoked. In the case



where one end supports RSVP and the other does not (and is helped by an RSVP proxy), the application-level signaling entity supporting the non-RSVP-capable end might use the reservation negotiation mechanisms in such a way that the non-RSVP-capable end (helped by an RSVP proxy) appears to the remote end as an RSVP-capable device. This will ensure that the RSVP-capable end is not discouraged from using RSVP because the remote end is not RSVP-capable. In the case of SIP, the application-level entity may achieve this by taking advantage of the "segmented" status type of [RFC3312] and/or by taking advantage of a SIP [RFC3261] Back-to-Back User Agent (B2BUA).

#### 4. RSVP Proxy Approaches

This section discusses fundamental RSVP proxy approaches.

##### 4.1. Path-Triggered Receiver Proxy

In this approach, it is assumed that the sender is RSVP-capable and takes full care of the synchronization between application requirements and RSVP reservations. With this approach, the RSVP Receiver Proxy uses the RSVP Path messages generated by the sender as the cue for establishing the RSVP reservation on behalf of the receiver. The RSVP Receiver Proxy is effectively acting as a slave making reservations (on behalf of the receiver) under the sender's control. This changes somewhat the usual RSVP reservation model where reservations are normally controlled by receivers. Such a change greatly facilitates operations in the scenario of interest here, which is where the receiver is not RSVP-capable. Indeed, it allows the RSVP Receiver Proxy to remain application-unaware by taking advantage of the application awareness and RSVP awareness of the sender.

With the Path-Triggered RSVP Receiver Proxy approach, the RSVP router may be configured to use receipt of a regular RSVP Path message as the trigger for RSVP Receiver Proxy behavior.

On receipt of the RSVP Path message, the RSVP Receiver Proxy:

1. establishes the RSVP Path state as per regular RSVP processing.
2. identifies the downstream interface towards the receiver.
3. sinks the Path message.
4. behaves as if a Resv message (whose details are discussed below) was received on the downstream interface. This includes performing admission control on the downstream interface, establishing a Resv state (in case of successful admission

control), and forwarding the Resv message upstream, sending periodic refreshes of the Resv message and tearing down the reservation if the Path state is torn down.

In order to build the Resv message, the RSVP Receiver Proxy can take into account information received in the Path message. For example, the RSVP Receiver Proxy may compose a FLOWSPEC object for the Resv message that mirrors the SENDER\_TSPEC object in the received Path message (as an RSVP-capable receiver would typically do).

Operation of the Path-Triggered Receiver Proxy in the case of a successful reservation is illustrated in Figure 3.

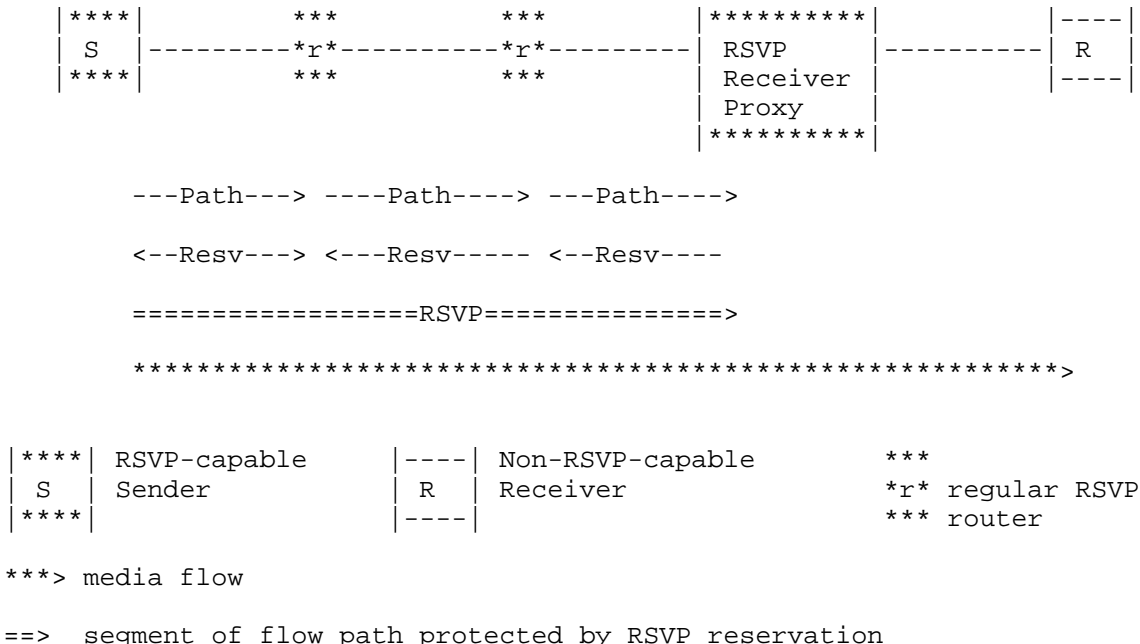


Figure 3: Path-Triggered RSVP Receiver Proxy

In case the reservation establishment is rejected (for example, because of an admission control failure on a regular RSVP router on the path between the RSVP-capable sender and the RSVP Receiver Proxy), a ResvErr message will be generated as per conventional RSVP operations and will travel downstream towards the RSVP Receiver Proxy. While this ensures that the RSVP Receiver Proxy is aware of the reservation failure, conventional RSVP procedures do not cater to the notification of the sender of the reservation failure. Operation of the Path-Triggered RSVP Receiver Proxy in the case of an admission control failure is illustrated in Figure 4.

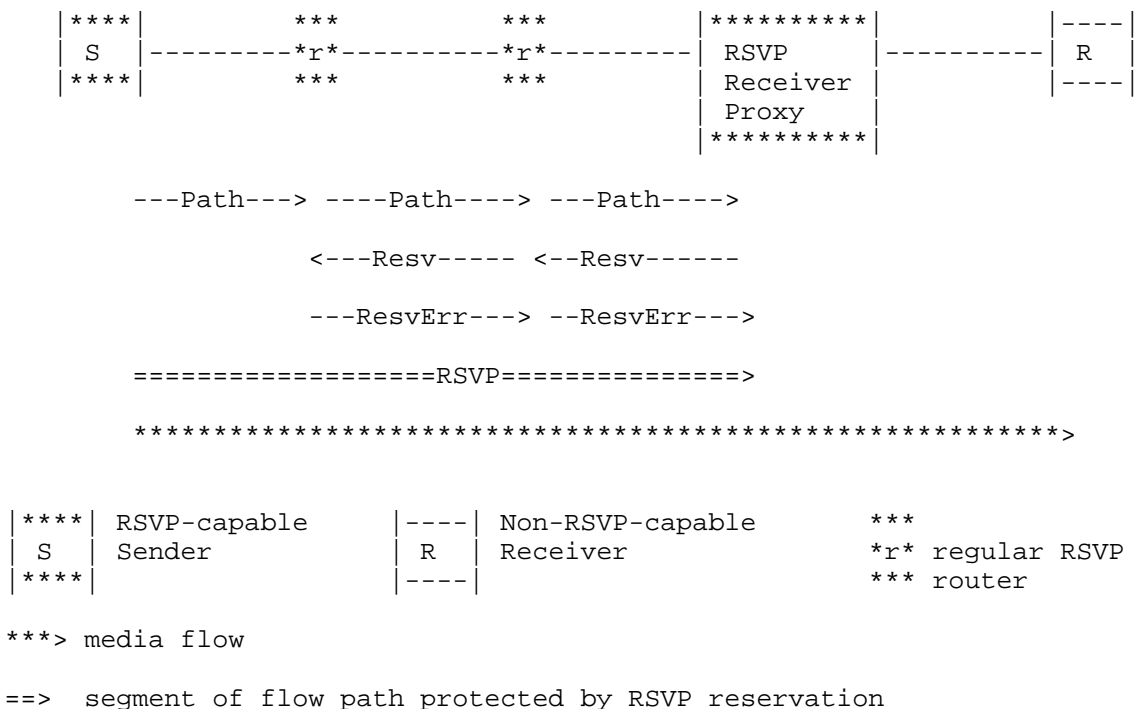


Figure 4: Path-Triggered RSVP Receiver Proxy with Failure

Since, as explained above, in this scenario involving the RSVP Receiver Proxy, synchronization between an application and an RSVP reservation is generally performed by the sender, notifying the sender of reservation failure is needed. [RFC5946] specifies RSVP extensions allowing such sender notification in the case of reservation failure in the presence of a Path-Triggered RSVP Receiver Proxy.

4.1.1.1. Mechanisms for Maximizing the Reservation Span

The presence in the flow path of a Path-Triggered RSVP Receiver Proxy (for a given flow) that strictly behaves as described previously would cause the Path message to be terminated and a Resv message to be generated towards the sender. When the receiver is indeed not RSVP-capable and there is no other RSVP Receiver Proxy downstream on the flow path, this achieves the best achievable result of establishing an RSVP reservation as far downstream as the RSVP Receiver Proxy.

However, if the eventual receiver was in fact RSVP-capable, it would be prevented from participating in RSVP signaling, since it does not receive any Path message. As a result, the RSVP reservation would only span a subset of the path it could actually span. A similar sub-optimality would exist with multiple Receiver Proxies in the path of the flow: the first Receiver Proxy may prevent the Path message from reaching the second one and therefore prevent the reservation from extending down to the second Receiver Proxy.

It is desirable that, in the presence of Path-Triggered RSVP Receiver Proxies and of a mix of RSVP-capable and non-RSVP-capable receivers, the RSVP reservation spans as much of the flow path as possible. This can be achieved dynamically (avoiding tedious specific configuration), using the mechanisms described in Sections 4.1.1.1 and 4.1.1.2.

#### 4.1.1.1. Dynamic Discovery of Downstream RSVP Functionality

When generating a proxy Resv message upstream, a Receiver Proxy may be configured to perform dynamic discovery of downstream RSVP functionality. To that end, when generating the proxy Resv message upstream, the Receiver Proxy forwards the Path message downstream instead of terminating it. This allows an RSVP-capable receiver (or a downstream Receiver Proxy) to respond to the Path with an upstream Resv message. On receipt of a Resv message, the Receiver Proxy internally converts its state from a proxied reservation to a regular midpoint RSVP behavior. From then on, everything proceeds as if the RSVP router had behaved as a regular RSVP router at reservation establishment (as opposed to having behaved as an RSVP Receiver Proxy for that flow).

The RSVP Receiver Proxy behavior for dynamic discovery of downstream RSVP functionality is illustrated in Figure 5 and is also discussed in Section 4.1 of [RFC5946].



ability of a Receiver Proxy to proxy RSVP for other, non-RSVP-capable endpoints. This mechanism also achieves the goal of automatically discovering the longest possible RSVP-supporting segment in a network with multiple Receiver Proxies along the path. This mechanism dynamically adjusts to any topology and routing change. Also, this mechanism dynamically handles the situation in which a receiver was RSVP-capable and for some reason (e.g., software downgrade) no longer is. Finally, this approach requires no new RSVP protocol extensions and no configuration changes to the Receiver Proxy as new RSVP-capable endpoints come and go.

The only identified drawbacks to this approach are:

- o If admission control fails on the segment between the Receiver Proxy and the RSVP-capable receiver, the receiver will get a ResvErr and can take application-level signaling steps to terminate the call. However, the Receiver Proxy has already sent a Resv upstream for this flow, so the sender will see a "false" reservation that is not truly end-to-end. The actual admission control status will resolve itself in a short while, but the sender will need to roll back any permanent action (such as billing) that may have been taken on receipt of the phantom Resv. Note that if the second receiver is also a Receiver Proxy that is not participating in application signaling, it will convert the received ResvErr into a PathErr that will be received by the sender.
- o If there is no RSVP-capable receiver (or other Receiver Proxy) downstream of the Receiver Proxy, then the Path messages sent by the Receiver Proxy every RSVP refresh interval (e.g., 30 seconds by default) will never be responded to. However, these messages consume a small amount of bandwidth, and in addition would install some RSVP state on RSVP-capable midpoint nodes downstream of the first Receiver Proxy. This is seen as a very minor sub-optimality. We also observe that such resources would be consumed anyways if the receiver was RSVP-capable. Still, if deemed necessary, to mitigate this, the Receiver Proxy can tear down any unanswered downstream Path state and stop sending Path messages for the flow (or only send them at much lower frequency) as further discussed in [RFC5946].

#### 4.1.1.2. Selective Receiver Proxy and Sender Control of Receiver Proxy

An RSVP Receiver Proxy can be selective about the sessions that it terminates, based on local policy decision. For example, an edge router functioning as a Receiver Proxy may behave as a proxy only for Path messages that are actually going to exit the domain in question, and not for Path messages that are transiting through it but stay

within the domain. As another example, the Receiver Proxy may be configurable to only proxy for flows addressed to a given destination address or destination address ranges (for which end devices are known to not be RSVP-capable).

The decision to proxy a Resv for a Path may also be based on information signaled from the sender in the Path message. For example, the sender may identify the type of application or flow in the Application Identity policy element ([RFC2872]) in the Path, and the Receiver Proxy may be configured to proxy for only certain types of flows. Or, if the sender knows (for example, through application signaling) that the receiver is RSVP-capable, the sender can include an indication in a policy element to any Receiver Proxy that it ought not to terminate the Path (or conversely, if the receiver is known not to support RSVP, the sender could include an indication to Receiver Proxies that they ought to generate a proxy Resv message). The Receiver Proxy Control policy element specified in Section 4.2 of [RFC5946] can be used for that purpose.

#### 4.2. Path-Triggered Sender Proxy for Reverse Direction

In this approach, it is assumed that one endpoint is RSVP-capable and takes full care of the synchronization between application requirements and RSVP reservations. This endpoint is the sender for one flow direction (which we refer to as the "forward" direction) and is the receiver for the flow in the opposite direction (which we refer to as the "reverse" direction).

With the Path-Triggered Sender Proxy for Reverse Direction approach, the RSVP proxy uses the RSVP signaling generated by the receiver (for the reverse direction) as the cue for initiating RSVP signaling for the reservation in the reverse direction. More precisely, the RSVP proxy can take the creation (or maintenance or teardown) of a Path state by the receiver as the cue to create (or maintain or tear down, respectively) a Path state towards the receiver. Thus, the RSVP proxy is effectively acting as a Sender Proxy for the reverse direction under the control of the receiver (for the reverse direction). Note that this assumes a degree of symmetry, for example, in terms of bandwidth for the two directions of the flow (as is currently typical for IP telephony).

The signaling flow for the Path-Triggered Sender Proxy for Reverse Direction is illustrated in Figure 6.

Path messages generated by the receiver need to transit via the RSVP Sender Proxy that is on the path from the sender to the receiver. In some topologies, this will always be the case: for example, where the sender is on a stub network hanging off the RSVP Sender Proxy or

where there is no asymmetric routing (such that if an RSVP Sender Proxy is on the path from receiver to sender, then it is also on the path from sender to receiver). In some topologies (such as those involving asymmetric routing), this may not always happen naturally. Measures to ensure this does happen in these topologies are outside the scope of this document.

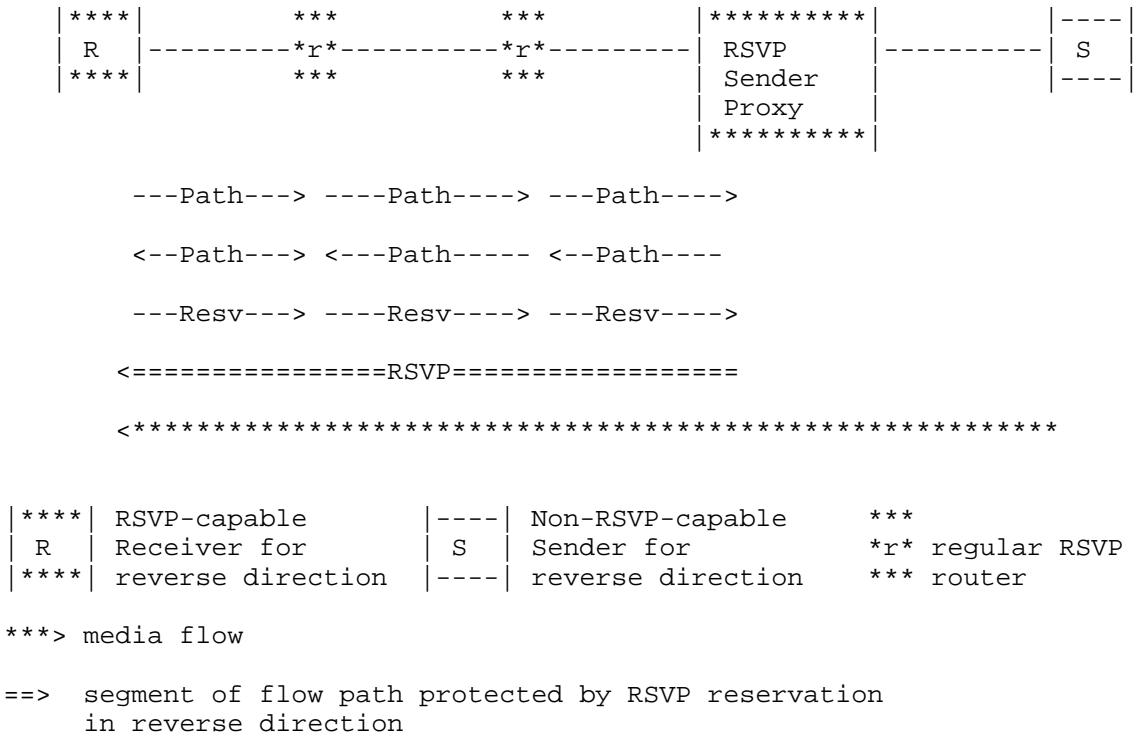
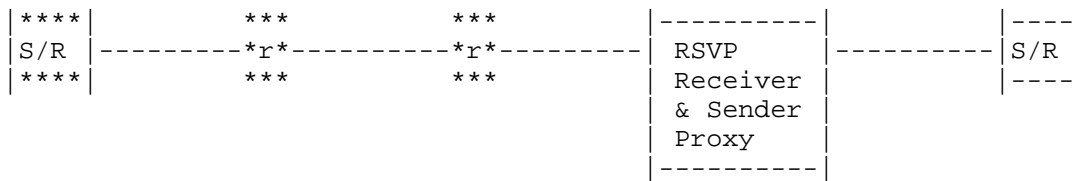


Figure 6: Path-Triggered Sender Proxy for Reverse Direction

Of course, the RSVP proxy may simultaneously (and typically will) also act as the Path-Triggered Receiver Proxy for the forward direction, as defined in Section 4.1. Such an approach is most useful in situations involving RSVP reservations in both directions for symmetric flows. This is illustrated in Figure 7.





---Path---> ----Path----> ---Path---->

<---Resv----> <---Resv-----> <---Resv----->

<---Path---> <---Path-----> <---Path----->

---Resv---> ----Resv----> ---Resv----->

====RSVP=====>

<====RSVP=====

\*\*\*\*\*>

<\*\*\*\*\*

****	RSVP-capable	----	Non-RSVP-capable	***
S/R	Sender and	S/R	Sender and	*r* regular RSVP
****	Receiver	----	Receiver	*** router

\*\*\*> media flow

=> segment of flow path protected by RSVP reservation in forward and in reverse direction

Figure 7: Path Triggered Receiver and Sender Proxy

With the Path-Triggered Sender Proxy for Reverse Direction approach, the RSVP router may be configurable to use receipt of a regular RSVP Path message as the trigger for Sender Proxy for Reverse Direction behavior.

On receipt of the RSVP Path message for the forward direction, the RSVP Sender Receiver Proxy:

1. sinks the Path message.
2. behaves as if a Path message for the reverse direction (whose details are discussed below) had been received by the Sender Proxy. This includes establishing the corresponding Path state, forwarding the Path message downstream, sending periodic

refreshes of the Path message, and tearing down the Path in the reverse direction when the Path state in the forward direction is torn down.

In order to build the Path message for the reverse direction, the RSVP Sender Proxy can take into account information in the received Path message for the forward direction. For example, the RSVP Sender Proxy may mirror the SENDER\_TSPEC object in the received Path message.

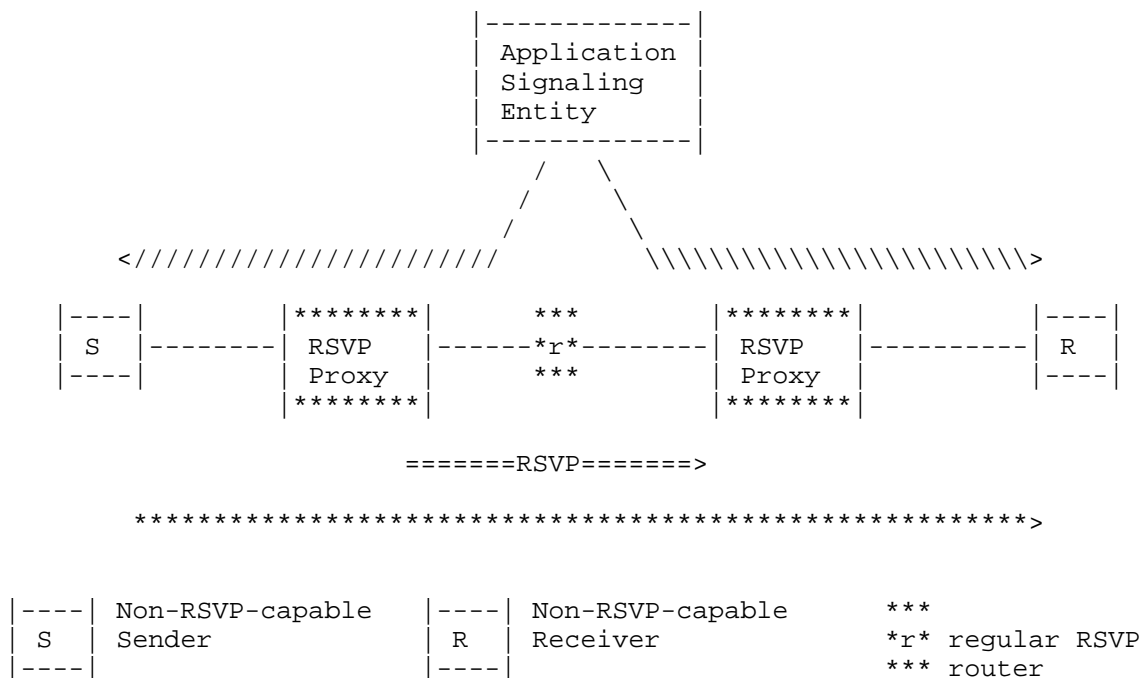
We observe that this approach does not require any extensions to the existing RSVP protocol.

In the case where reservations are required in both directions (as shown in Figure 7), the RSVP-capable device simply needs to behave as a regular RSVP sender and RSVP receiver. It need not be aware that an RSVP proxy happens to be used, and the Path message it sent for the forward reservation also acts as the trigger for establishment of the reverse reservation. However, in the case where a reservation is only required in the reverse direction (as shown in Figure 6), the RSVP-capable device has to generate Path messages in order to trigger the reverse-direction reservation even if no reservation is required in the forward direction. Although this is not in violation of [RFC2205], it may not be the default behavior of an RSVP-capable device and therefore may need a behavioral change specifically to facilitate operation of the Path-Triggered Sender Proxy for Reverse Direction.

#### 4.3. Inspection-Triggered Proxy

In this approach, it is assumed that the RSVP proxy is on the data path of "packets of interest", that it can inspect such packets on the fly as they transit through it, and that it can infer information from these packets of interest to determine what RSVP reservations need to be established, as well as when and with what characteristics (possibly also using some configured information).

One example of "packets of interest" could be application-level signaling. An RSVP proxy capable of inspecting SIP signaling for a multimedia session or RTSP signaling for video streaming can obtain from such signaling information about when a multimedia session is up or when a video is going to be streamed. It can also identify the addresses and ports of senders and receivers and can determine the bandwidth of the corresponding flows. It can also determine when the reservation is no longer needed and tear it down. Thus, such an RSVP proxy can determine all necessary information to synchronize RSVP reservations to application requirements. This is illustrated in Figure 8.



</\> application-level signaling

\*\*\*> media flow

==> segment of flow path protected by RSVP reservation

Figure 8: Inspection-Triggered RSVP Proxy

Another example of "packets of interest" could be transport control messages (e.g., the Real-time Transport Control Protocol (RTCP) [RFC3550]) traveling alongside the application flow itself (i.e., media packets). An RSVP proxy capable of detecting the transit of packets from a particular flow can attempt to establish a reservation corresponding to that flow. Characteristics of the reservation may be derived by various methods such as from configuration, flow measurement, or a combination of those. However, these methods usually come with their respective operational drawbacks: configuration involves an operational cost and may hinder introduction of new applications, and measurement is reactive so that accurate reservation may lag actual traffic.

In the case of reservation failure, the Inspection-Triggered RSVP Proxy does not have a direct mechanism for notifying the application (since it is not participating itself actively in application

signaling) so that the application is not in a position to take appropriate action (for example, terminate the corresponding session). To mitigate this problem, the Inspection-Triggered RSVP Proxy may differently mark the Differentiated Services codepoint (DSCP) ([RFC2474]) of flows for which an RSVP reservation has been successfully proxied from the flows for which a reservation is not in place. In some situations, the Inspection-Triggered Proxy might be able to modify the "packets of interest" (e.g., application signaling messages) to convey some hint to applications that the corresponding flows cannot be guaranteed by RSVP reservations.

With the Inspection-Triggered Proxy approach, the RSVP proxy is effectively required to attempt to build application awareness by traffic inspection and then is somewhat limited in the actions it can take in case of reservation failure. Depending on the "packets of interest" used by the RSVP proxy to trigger the reservation, there is a risk that the RSVP proxy will end up establishing a reservation for a media flow that actually never starts. However, this can be mitigated by the timing out and tearing down of an unnecessary reservation by the RSVP proxy when no corresponding media flow is observed. This flow observation and timeout approach can also be used to tear down reservations that were rightfully established for a flow but are no longer needed because the flow stopped.

The Inspection-Triggered approach is also subject to the general limitations associated with data inspection. This includes being impeded by encryption or tunneling, or being dependent on some topology constraints such as relying on the fact that both the packets of interest and the corresponding flow packets always transit through the same RSVP proxy.

Nonetheless, this may be a useful approach in specific environments. Note also that this approach does not require any change to the RSVP protocol.

With the Inspection-Triggered RSVP Proxy approach, the RSVP router may be configurable to use and interpret some specific packets of interest as the trigger for RSVP Receiver Proxy behavior.

When operating off signaling traffic, the Inspection-Triggered RSVP Proxy may be able to detect from the signaling that the endpoint is capable of establishing an RSVP reservation (e.g., in the case of SIP, via the inspection of the [RFC3312]/[RFC4032] precondition), in which case it would not behave as a proxy for that endpoint. Also, the Inspection-Triggered RSVP Proxy may inspect RSVP signaling, and if it sees RSVP signaling for the flow of interest, it can disable its Sender Proxy behavior for that flow (or that sender). Optionally, through RSVP signaling inspection, the Sender Proxy might



appropriately sized reservation for each flow. Including such new STUN attributes in the ICE connectivity check messages would facilitate operation of the RSVP proxy. To ensure RSVP reservations are only established when needed, the RSVP proxy needs to distinguish, among all the STUN messages, the ones that reflect (with high likelihood) an actual upcoming media flow. This can be achieved by identifying the STUN messages associated with an ICE connectivity check. In turn, this can be achieved through (some combination of) the following checks:

- o if, as discussed above, new STUN attributes (e.g., conveying the flow bandwidth) are indeed defined in the future in view of facilitating STUN-Triggered reservations, then the presence of these attributes would reveal that the STUN message is part of an ICE connectivity check.
- o the presence of the PRIORITY, USE-CANDIDATE, ICE-CONTROLLED, or ICE-CONTROLLING attributes reveals that the STUN message is part of an ICE connectivity check.
- o the RSVP proxy may wait for a STUN message containing the USE-CANDIDATE attribute indicating the selected ICE "path" to trigger reservation only for the selected "path". This allows the RSVP proxy to only trigger a reservation for the "path" actually selected and therefore for the media flow that will actually be established (for example, when ICE is being used for IPv4/v6 path selection).
- o the RSVP proxy configuration could contain some information facilitating determination of when to perform RSVP proxy reservation and when not to. For example, the RSVP proxy configuration could contain the IP addresses of the STUN servers such that STUN messages to/from those addresses are known to not be part of an ICE connectivity check. As another example, the RSVP proxy configuration could contain information identifying the set of Differentiated Services codepoint (DSCP) values that the media flows requiring reservation use, so that STUN messages not using one of these DSCP values are known to not be part of an ICE connectivity check.

Despite these checks, there is always a potential risk that the RSVP proxy will end up establishing a reservation for a media flow that actually never starts. However, this is limited to situations in which the end-systems are interested enough in establishing connectivity for a flow but never transmit. Also, this can be mitigated by timing out and tear down of an unnecessary reservation by the RSVP proxy when no corresponding media flow is observed.

The RSVP proxy agent can inform endpoints of an RSVP reservation failure implicitly by dropping the ICE connectivity check message or explicitly by sending ICMP messages back to the endpoint. This allows reasonably effective synchronization between RSVP reservations handled by the RSVP proxies and the application running on non-RSVP-capable endpoints. It also has the benefits of operating through NATs.

For multicast flows (or certain kinds of unicast flows that don't or can't use ICE), a STUN Indication message [RFC5389] could be used to carry the (yet to be defined) STUN attributes mentioned earlier to indicate the flow bandwidth, thereby providing a benefit similar to the ICE connectivity check. STUN Indication messages are not acknowledged by the receiver and have the same scalability as the underlying multicast flow.

The corresponding extensions to ICE and STUN for such a STUN-Triggered RSVP Proxy approach are beyond the scope of this document. They may be defined in the future in a separate document. As the STUN-Triggered RSVP Proxy approach uses STUN in a way (i.e., to trigger reservations) that is beyond its initial intended purpose, the potential security implications need to be considered by the operator.

ICE connectivity checks are not always used for all flows. When the STUN-Triggered RSVP Proxy approach is used, it can establish RSVP reservations for flows for which ICE connectivity is performed. However, the STUN-Triggered RSVP Proxy will not establish a reservation for flows for which an ICE connectivity check is not performed. Those flows either will not benefit from an RSVP reservation or can benefit from an RSVP reservation established through other means (end-to-end RSVP, other forms of RSVP proxy).

The STUN-Triggered approach relies on interception and inspection of STUN messages. Thus, this approach may be impeded by encryption or tunneling.

#### 4.5. Application\_Entity-Controlled Proxy

In this approach, it is assumed that an entity involved in the application-level signaling controls an RSVP proxy that is located in the data path of the application flows (i.e., "on-path"). With this approach, the RSVP proxy does not itself attempt to determine the application reservation requirements. Instead, the RSVP proxy is instructed by the entity participating in application-level signaling to establish, maintain, and tear down reservations as needed by the application flows. In other words, with this approach, the solution for synchronizing RSVP signaling with application-level requirements





This RSVP proxy approach does not require any extension to the RSVP protocol. However, it relies on an RSVP proxy control interface allowing control of the RSVP proxy by an application signaling entity. This RSVP proxy control interface is beyond the scope of this document. Candidate protocols for realizing such an interface include the IETF Network Configuration (NETCONF) Protocol ([RFC4741], [RFC5277]), the Web Services protocol ([W3C]), the QoS Policy Information Model (QPIM) ([RFC3644]), and Diameter ([RFC3588]). This interface can rely on soft states or hard states. Clearly, when hard states are used, those need to be converted appropriately by the RSVP proxy entities into the corresponding RSVP soft states. As an example, [RFC5866] is intended to allow control of RSVP proxy via Diameter.

In general, the application entity is not expected to maintain awareness of which RSVP Receiver Proxy is on the path to which destination. However, in the particular cases where it does so reliably, we observe that the application entity could control the RSVP Sender Proxy and Receiver Proxy so that aggregate RSVP reservations are used between those, instead of one reservation per flow. For example, these aggregate reservations could be of the RSVP-AGGREGATE type, as specified in [RFC3175], or of the GENERIC-AGGREGATE type, as specified in [RFC4860]. Such aggregate reservations could be used so that a single reservation can be used for multiple (possibly all) application flows transiting via the same RSVP Sender Proxy and the same RSVP Receiver Proxy.

For situations in which only the RSVP Sender Proxy has to be controlled by this interface, the interface may be realized through the simple use of RSVP itself, over a Generic Routing Encapsulation (GRE) tunnel from the application entity to the RSVP Sender Proxy. This particular case is further discussed in Section 4.5.1. Another particular case of interest is where the application signaling entity resides on the same device as the RSVP proxy. In that case, this interface may be trivially realized as an internal API. An example environment based on this particular case is illustrated in Section 4.5.2.

The application entity controlling the RSVP proxy (e.g., a SIP Call Agent) would often be aware of a number of endpoint capabilities, and it has to be aware of which endpoint can be best "served" by which RSVP proxy anyways. So it is reasonable to assume that such an application is aware of whether a given endpoint is RSVP-capable or not. The application may also consider the QoS preconditions and QoS mechanisms signaled by an endpoint as per [RFC3312]/[RFC4032] and [RFC5432]. The information about endpoint RSVP capability can then be used by the application to decide whether to trigger proxy behavior or not for a given endpoint. This can facilitate gradual

and dynamic migration from the proxy model towards the end-to-end RSVP model as more and more endpoints become RSVP-capable.

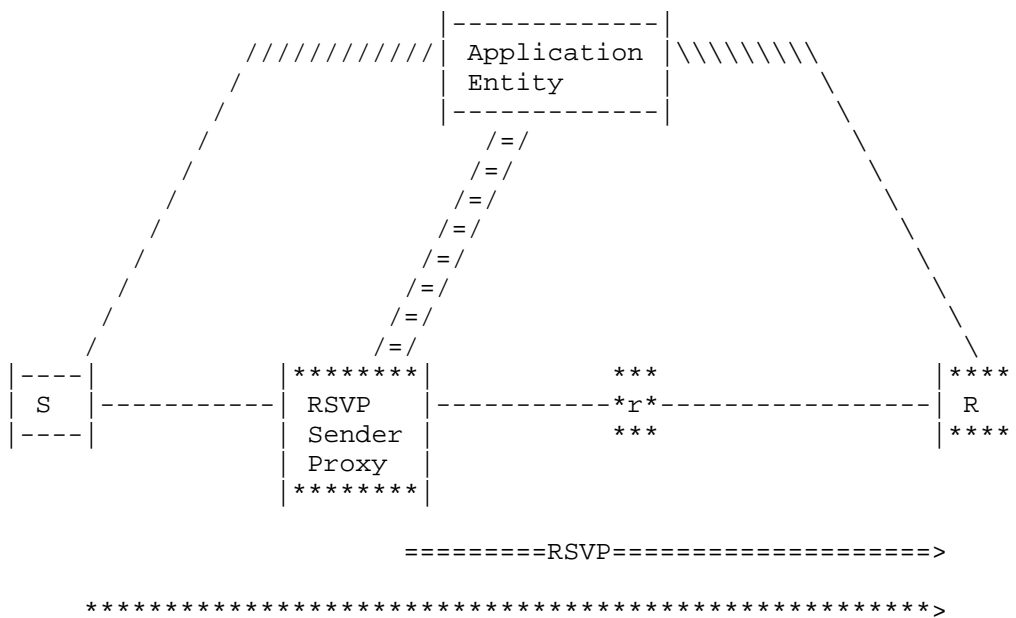
In some environments, the application entities (e.g., SIP back-to-back user agents) that need to control the RSVP proxies would already be deployed independently of the use, or not, of the Application\_Entity-Controlled Proxy approach. In this case, the activation of the RSVP proxy approach should not introduce significant disruption in the application signaling path. In some environments, additional application entities may need to be deployed to control the RSVP proxies. In this case, the network operator needs to consider the associated risks of disruption to the application signaling path.

#### 4.5.1. Application\_Entity-Controlled Sender Proxy Using "RSVP over GRE"

This approach is simply a particular case of the more general Application\_Entity-Controlled Proxy, but where only RSVP Sender Proxies need to be controlled by the application, and where RSVP is effectively used as the control protocol between the application-signaling entity and the RSVP Sender Proxy.

In this approach, the RSVP messages (e.g., RSVP Path message) are effectively generated by the application entity and logically "tunneled" to the RSVP Sender Proxy via GRE tunneling. This is to ensure that the RSVP messages follow the exact same path as the flow they protect (as required by RSVP operations) on the segment of the end-to-end path that is to be subject to RSVP reservations.

Figure 11 illustrates such an environment.



----	non-RSVP-capable	----	RSVP-capable	***
S	Sender	R	Receiver	*r* regular RSVP
----		----		*** router

\*\*\*> media flow

==> segment of flow path protected by RSVP reservation

/\ Application-level signaling

/=/ GRE-tunneled RSVP (Path messages)

Figure 11: Application\_Entity-Controlled Sender Proxy via "RSVP over GRE"

With the Application\_Entity-Controlled Sender Proxy using "RSVP Over GRE", the application entity:

- o generates a Path message on behalf of the sender, corresponding to the reservation needed by the application, and maintains the corresponding Path state. The Path message built by the application entity is exactly the same as would be built by the actual sender (if it was RSVP-capable), with one single exception, which is that the application entity puts its own IP address as the RSVP previous hop. In particular, it is recommended that the

source address of the Path message built by the application entity be set to the IP address of the sender (not of the application entity). This helps ensure that, in the presence of non-RSVP routers and of load-balancing in the network where the load-balancing algorithm takes into account the source IP address, the Path message generated by the application entity follows the exact same path as the actual stream sourced by the sender.

- o encapsulates the Path message into a GRE tunnel whose destination address is the RSVP Sender Proxy, i.e., an RSVP router sitting on the data path for the flow (and upstream of the segment that requires QoS guarantees via RSVP reservation).
- o processes the corresponding received RSVP messages (including Resv messages) as per regular RSVP.
- o synchronizes the RSVP reservation state with application-level requirements and signaling.

Note that since the application entity encodes its own IP address as the previous RSVP hop inside the [RFC2205] RSVP\_HOP object of the Path message, the RSVP router terminating the GRE tunnel naturally addresses all the RSVP messages traveling upstream hop-by-hop (such as Resv messages) to the application entity (without having to encapsulate those in a reverse-direction GRE tunnel towards the application entity).

#### 4.5.2. Application\_Entity-Controlled Proxy via Co-Location

This approach is simply a particular case of the more general Application\_Entity-Controlled Proxy, but where the application entity is co-located with the RSVP proxy. As an example, Session Border Controllers (SBCs) with on-board SIP agents could implement RSVP proxy functions and make use of such an approach to achieve session admission control over the SBC-to-SBC segment using RSVP signaling.

Figure 12 illustrates operations of the Application\_Entity-Controlled RSVP Proxy via co-location.

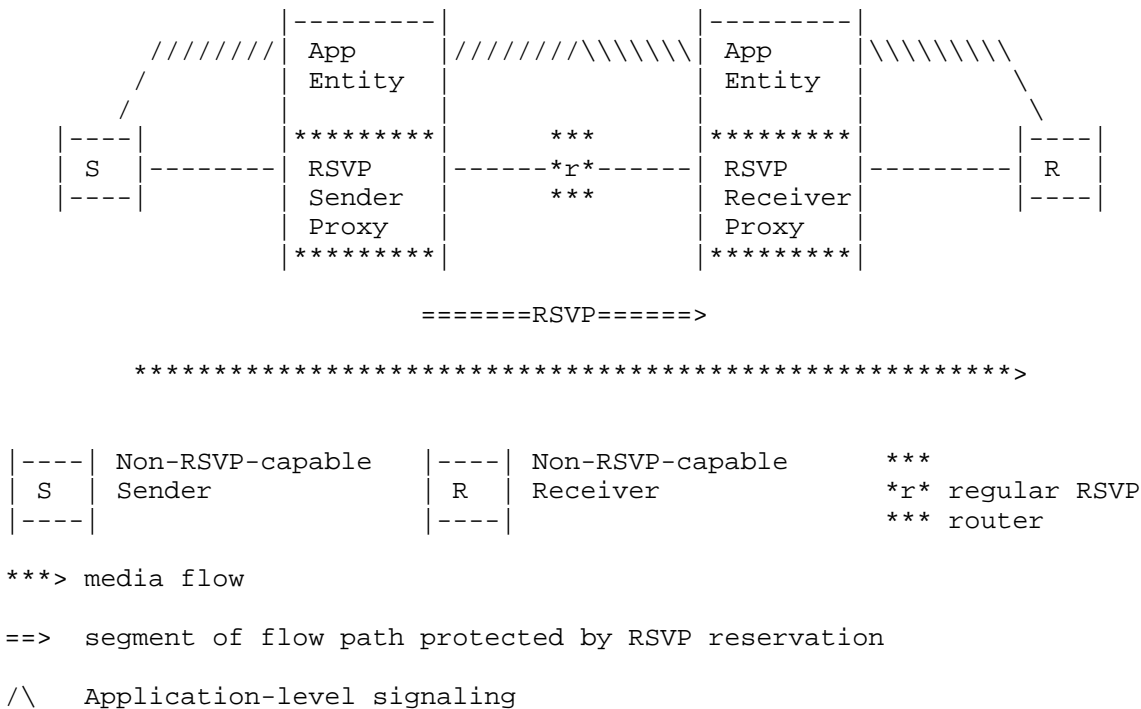


Figure 12: Application\_Entity-Controlled Proxy via Co-Location

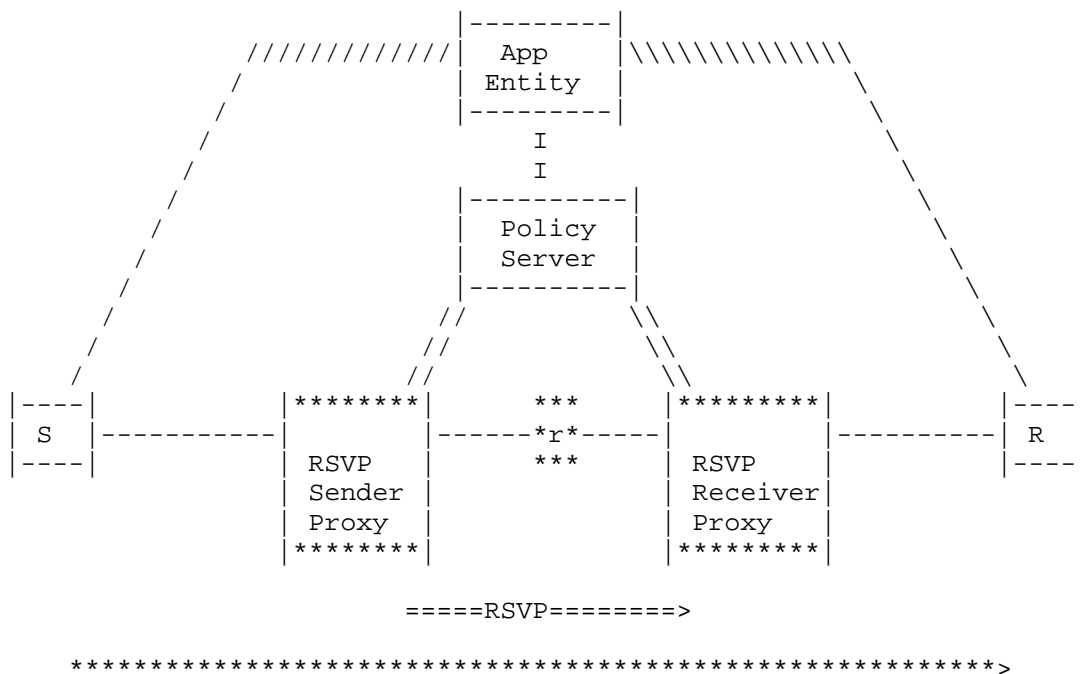
This RSVP proxy approach does not require any protocol extensions. We also observe that when multiple sessions are to be established on paths sharing the same RSVP Sender Proxy and the same RSVP Receiver Proxy, the RSVP proxies have the option to establish aggregate RSVP reservations (as defined in ([RFC3175] or [RFC4860]) for a group of sessions, instead of establishing one RSVP reservation per session.

#### 4.6. Policy\_Server-Controlled Proxy

In this approach, it is assumed that a policy server, which is located in the control plane of the network, controls an RSVP proxy that is located in the data path of the application flows (i.e., "on-path"). In turn, the policy server is triggered by an entity involved in the application-level signaling. With this approach, the RSVP proxy does not itself attempt to determine the application reservation requirements, but instead is instructed by the policy server to establish, maintain, and tear down reservations as needed by the application flows. Moreover, the entity participating in application-level signaling does not attempt to understand the specific reservation mechanism (i.e., RSVP) or the topology of the network layer, but instead it simply asks the policy server to

perform (or tear down) a reservation. In other words, with this approach, the solution for synchronizing RSVP signaling with application-level requirements is to rely on an application-level entity that controls a policy server that, in turn, controls an RSVP proxy function that sits in the flow data path. This approach allows control of an RSVP Sender Proxy, an RSVP Receiver Proxy, or both.

Operation of the Policy\_Server-Controlled proxy is illustrated in Figure 13.



S	Non-RSVP-capable Sender	R	Non-RSVP-capable Receiver	***
---	----------------------------	---	------------------------------	-----

\*r\* regular RSVP  
\*\*\* router

\*\*\*> media flow

==> segment of flow path protected by RSVP reservation

/\ Application signaling (e.g., SIP)

// RSVP proxy control interface

I Interface between application entity and policy server

Figure 13: Policy\_Server-Controlled Proxy

This RSVP proxy approach does not require any extension to the RSVP protocol. However, as with the Application\_Entity-Controlled Proxy approach presented in Figure 10, this approach relies on an RSVP proxy control interface allowing control of the RSVP proxy (by the policy server in this case). This RSVP proxy control interface is beyond the scope of this document. Considerations about candidate protocols for realizing such an interface can be found in

Section 4.5. Again, for situations in which only the RSVP Sender Proxy has to be controlled by this interface, the interface may be realized through the simple use of RSVP itself, over a GRE tunnel from the policy server to the RSVP Sender Proxy. This is similar to what is presented in Section 4.5.1, except that the "RSVP over GRE" interface is used in this case by the policy server (instead of the application entity).

The interface between the application entity and the policy server is beyond the scope of this document.

#### 4.7. RSVP-Signaling-Triggered Proxy

An RSVP proxy can also be triggered and controlled through extended RSVP signaling from the remote end that is RSVP-capable (and supports these RSVP extensions for proxy control). For example, an RSVP-capable sender could send a new or extended RSVP message explicitly requesting an RSVP proxy on the path towards the receiver to behave as an RSVP Receiver Proxy and also to trigger a reverse-direction reservation, thus also behaving as an RSVP Sender Proxy. The new or extended RSVP message sent by the sender could also include attributes (e.g., bandwidth) for the reservations to be signaled by the RSVP proxy.

The challenges in these explicit signaling schemes include the following:

- o How can the nodes determine when a reservation request ought to be proxied and when it should not, and accordingly invoke appropriate signaling procedures?
- o How does the node sending the messages explicitly triggering the proxy know where the proxy is located, e.g., determine an IP address of the proxy that should reply to the signaling?
- o How is all the information needed by a Sender Proxy to generate a Path message actually communicated to the proxy?

An example of such a mechanism is presented in [QOS-MOBILE]. This scheme is primarily targeted to local access network reservations whereby an end host can request resource reservations for both incoming and outgoing flows only over the access network. This may be useful in environments where the access network is typically the bottleneck while the core is comparatively over-provisioned, as may be the case with a number of radio access technologies. In this proposal, messages targeted to the proxy are flagged with one bit in all RSVP messages. Similarly, all RSVP messages sent back by the proxy are also flagged. The use of such a flag allows



differentiating between proxied and end-to-end reservations. For triggering an RSVP Receiver Proxy, the sender of the data sends a Path message that is marked with the mentioned flag. The Receiver Proxy is located on the signaling and data path, eventually gets the Path message, and replies back with a Resv message. A node triggers an RSVP Sender Proxy with a newly defined Path\_Request message, which instructs the proxy to send Path messages towards the triggering node. The node then replies back with a Resv. More details can be found in [QOS-MOBILE].

Such an RSVP-Signaling-Triggered Proxy approach would require RSVP signaling extensions (that are outside the scope of this document). However, it could provide more flexibility in the control of the proxy behavior (e.g., control of reverse reservation parameters) than would the Path-Triggered approaches defined in Section 4.1 and Section 4.2.

Through potential corresponding protocol extensions, an RSVP-Signaling-Triggered Proxy approach could facilitate operation (e.g., reduce or avoid the need for associated configuration) in hybrid environments involving both reservations established end-to-end and reservations established via RSVP proxies. For example, [QOS-MOBILE] proposed a mechanism allowing an end-system to control whether a reservation can be handled by an RSVP proxy on the path, or is to be established end-to-end.

#### 4.8. Reachability Considerations

There may be situations in which the RSVP Receiver Proxy is reachable by the sender, while the receiver itself is not. In such situations, it is possible that the RSVP Receiver Proxy is not always aware that the receiver is unreachable, and consequently may accept to establish an RSVP reservation on behalf of that receiver. This would result in unnecessary reservation establishment and unnecessary network resource consumption.

This is not considered a significant practical concern for a number of reasons. First, in many cases, if the receiver is not reachable from the sender, it will not be reachable for application signaling either, and so application-level session establishment will not be possible in the first place. Secondly, where the receiver is unreachable from the sender but is reachable for application-level signaling (say, because session establishment is performed through an off-path SIP agent that uses a different logical topology to communicate with the receiver), then the sender may detect that the receiver is unreachable before attempting reservation establishment. This may be achieved through mechanisms such as ICE's connectivity check ([RFC5245]). Finally, even if the sender does not detect that

the receiver is unreachable before triggering the RSVP reservation establishment, it is very likely that the application will quickly realize this lack of connectivity (e.g., the human accepting the phone call on the receiver side will not hear the human's voice on the sender side) and therefore tear down the session (e.g., hang up the phone), which in turn will trigger RSVP reservation release.

Nonetheless, it is recommended that network administrators consider the above in light of their particular environment when deploying RSVP proxies.

The mirror considerations apply for situations involving an RSVP Sender Proxy and where the sender cannot reach the destination while the RSVP Sender Proxy can.

## 5. Security Considerations

In the environments of concern for this document, RSVP messages are used to control resource reservations on a segment of the end-to-end path of flows. The general security considerations associated with [RFC2205] apply. To ensure the integrity of the associated reservation and admission control mechanisms, the RSVP cryptographic authentication mechanisms defined in [RFC2747] and [RFC3097] can be used. Those protect RSVP messages integrity hop-by-hop and provide node authentication, thereby protecting against corruption, spoofing of RSVP messages, and replay. [RSVP-SEC-KEY] discusses key types and key provisioning methods, as well as their respective applicability to RSVP authentication.

[RSVP-SEC-KEY] also discusses applicability of IPsec mechanisms ([RFC4302][RFC4303]) and associated key provisioning methods for security protection of RSVP. This discussion applies to the protection of RSVP in the presence of RSVP proxies as defined in this document.

A subset of RSVP messages are signaled with the IP router alert option ([RFC2113], [RFC2711]). Based on the current security concerns associated with the use of the IP router alert option, the applicability of RSVP (and therefore of the RSVP proxy approaches discussed in this document) is limited to controlled environments (i.e., environments where the security risks associated with the use of the IP router alert option are understood and protected against). The security aspects and common practices around the use of the current IP router alert option, and consequences of using the IP router alert option by applications such as RSVP, are discussed in detail in [RTR-ALERT].

A number of additional security considerations apply to the use of RSVP proxies and are discussed below.

With some RSVP proxy approaches, the RSVP proxy operates autonomously inside an RSVP router. This is the case for the Path-Triggered Proxy approaches defined in Section 4.1 and in Section 4.2, for the Inspection-Triggered Proxy approach defined in Section 4.3, for the STUN-Triggered Proxy approach defined in Section 4.4, and for the RSVP-Signaling-Triggered approach defined in Section 4.7. Proper reservation operation assumes that the RSVP proxy can be trusted to behave correctly in order to control the RSVP reservation as required and expected by the end-systems. Since the basic RSVP operation already assumes a trust model where end-systems trust RSVP nodes to appropriately perform RSVP reservations, the use of an RSVP proxy that behaves autonomously within an RSVP router is not seen as introducing any significant additional security threat or as fundamentally modifying the RSVP trust model.

With some RSVP proxy approaches, the RSVP proxy operates under the control of another entity. This is the case for the Application\_Entity-Controlled Proxy approach defined in Section 4.5 and for the Policy\_Server-Controlled Proxy approach defined in Section 4.6. This introduces additional security risks since the entity controlling the RSVP proxy needs to be trusted for proper reservation operation and also introduces additional authentication and confidentiality requirements. The exact mechanisms to establish such trust, authentication, and confidentiality are beyond the scope of this document, but they may include security mechanisms inside the protocol used as the control interface between the RSVP proxy and the entity controlling it, as well as security mechanisms for all the interfaces involved in the reservation control chain (e.g., inside the application signaling protocol between the end-systems and the application entity, and, in the case of the Policy\_Server-Controlled Proxy approach, in the protocol between the application entity and the policy server).

In some situations, the use of RSVP proxy to control reservations on behalf of end-systems may actually reduce the security risk (at least from the network operator viewpoint). This could be the case, for example, because the routers where the RSVP proxy functionality runs are less exposed to tampering than end-systems. Such a case is further discussed in Section 4 of [RFC5946]. This could also be the case because the use of RSVP proxy allows localization of RSVP operation within the boundaries of a given administrative domain (thus easily operating as a controlled environment) while the end-to-end flow path spans multiple administrative domains.

## 6. Acknowledgments

This document benefited from earlier work on the concept of RSVP proxy including the one documented by Silvano Gai, Dinesh Dutt, Nitsan Elfassy, and Yoram Bernet. It also benefited from discussions with Pratik Bose, Chris Christou, and Michael Davenport. Tullio Loffredo and Massimo Sassi provided the base material for Section 4.6. Thanks to James Polk, Magnus Westerlund, Dan Romascanu, Ross Callon, Cullen Jennings, and Jari Arkko for their thorough review and comments.

## 7. References

### 7.1. Normative References

- [RFC2205] Braden, B., Zhang, L., Berson, S., Herzog, S., and S. Jamin, "Resource ReSerVation Protocol (RSVP) -- Version 1 Functional Specification", RFC 2205, September 1997.
- [RFC2210] Wroclawski, J., "The Use of RSVP with IETF Integrated Services", RFC 2210, September 1997.
- [RFC2475] Blake, S., Black, D., Carlson, M., Davies, E., Wang, Z., and W. Weiss, "An Architecture for Differentiated Services", RFC 2475, December 1998.
- [RFC2747] Baker, F., Lindell, B., and M. Talwar, "RSVP Cryptographic Authentication", RFC 2747, January 2000.
- [RFC3097] Braden, R. and L. Zhang, "RSVP Cryptographic Authentication -- Updated Message Type Value", RFC 3097, April 2001.
- [RFC5245] Rosenberg, J., "Interactive Connectivity Establishment (ICE): A Protocol for Network Address Translator (NAT) Traversal for Offer/Answer Protocols", RFC 5245, April 2010.
- [RFC5389] Rosenberg, J., Mahy, R., Matthews, P., and D. Wing, "Session Traversal Utilities for NAT (STUN)", RFC 5389, October 2008.

## 7.2. Informative References

- [QOS-MOBILE] Manner, J., "Provision of Quality of Service in IP-based Mobile Access Networks", Doctoral dissertation, University of Helsinki, 2003, <<http://ethesis.helsinki.fi>>.
- [RFC1633] Braden, B., Clark, D., and S. Shenker, "Integrated Services in the Internet Architecture: an Overview", RFC 1633, June 1994.
- [RFC2113] Katz, D., "IP Router Alert Option", RFC 2113, February 1997.
- [RFC2326] Schulzrinne, H., Rao, A., and R. Lanphier, "Real Time Streaming Protocol (RTSP)", RFC 2326, April 1998.
- [RFC2474] Nichols, K., Blake, S., Baker, F., and D. Black, "Definition of the Differentiated Services Field (DS Field) in the IPv4 and IPv6 Headers", RFC 2474, December 1998.
- [RFC2711] Partridge, C. and A. Jackson, "IPv6 Router Alert Option", RFC 2711, October 1999.
- [RFC2872] Bernet, Y. and R. Pabbati, "Application and Sub Application Identity Policy Element for Use with RSVP", RFC 2872, June 2000.
- [RFC2961] Berger, L., Gan, D., Swallow, G., Pan, P., Tommasi, F., and S. Molendini, "RSVP Refresh Overhead Reduction Extensions", RFC 2961, April 2001.
- [RFC3175] Baker, F., Iturralde, C., Le Faucheur, F., and B. Davie, "Aggregation of RSVP for IPv4 and IPv6 Reservations", RFC 3175, September 2001.
- [RFC3261] Rosenberg, J., Schulzrinne, H., Camarillo, G., Johnston, A., Peterson, J., Sparks, R., Handley, M., and E. Schooler, "SIP: Session Initiation Protocol", RFC 3261, June 2002.
- [RFC3312] Camarillo, G., Marshall, W., and J. Rosenberg, "Integration of Resource Management and Session Initiation Protocol (SIP)", RFC 3312, October 2002.

- [RFC3550] Schulzrinne, H., Casner, S., Frederick, R., and V. Jacobson, "RTP: A Transport Protocol for Real-Time Applications", STD 64, RFC 3550, July 2003.
- [RFC3588] Calhoun, P., Loughney, J., Guttman, E., Zorn, G., and J. Arkko, "Diameter Base Protocol", RFC 3588, September 2003.
- [RFC3644] Snir, Y., Ramberg, Y., Strassner, J., Cohen, R., and B. Moore, "Policy Quality of Service (QoS) Information Model", RFC 3644, November 2003.
- [RFC4032] Camarillo, G. and P. Kyzivat, "Update to the Session Initiation Protocol (SIP) Preconditions Framework", RFC 4032, March 2005.
- [RFC4301] Kent, S. and K. Seo, "Security Architecture for the Internet Protocol", RFC 4301, December 2005.
- [RFC4302] Kent, S., "IP Authentication Header", RFC 4302, December 2005.
- [RFC4303] Kent, S., "IP Encapsulating Security Payload (ESP)", RFC 4303, December 2005.
- [RFC4566] Handley, M., Jacobson, V., and C. Perkins, "SDP: Session Description Protocol", RFC 4566, July 2006.
- [RFC4741] Enns, R., "NETCONF Configuration Protocol", RFC 4741, December 2006.
- [RFC4860] Le Faucheur, F., Davie, B., Bose, P., Christou, C., and M. Davenport, "Generic Aggregate Resource ReSerVation Protocol (RSVP) Reservations", RFC 4860, May 2007.
- [RFC4923] Baker, F. and P. Bose, "Quality of Service (QoS) Signaling in a Nested Virtual Private Network", RFC 4923, August 2007.
- [RFC5277] Chisholm, S. and H. Trevino, "NETCONF Event Notifications", RFC 5277, July 2008.
- [RFC5432] Polk, J., Dhesikan, S., and G. Camarillo, "Quality of Service (QoS) Mechanism Selection in the Session Description Protocol (SDP)", RFC 5432, March 2009.

- [RFC5853] Hautakorpi, J., Camarillo, G., Penfield, R., Hawrylyshen, A., and M. Bhatia, "Requirements from Session Initiation Protocol (SIP) Session Border Control (SBC) Deployments", RFC 5853, April 2010.
- [RFC5866] Sun, D., McCann, P., Tschofenig, H., Tsou, T., Doria, A., and G. Zorn, "Diameter Quality-of-Service Application", RFC 5866, May 2010.
- [RFC5946] Le Faucheur, F., Manner, J., Narayanan, A., Guillou, A., and H. Malik, "Resource Reservation Protocol (RSVP) Extensions for Path-Triggered RSVP Receiver Proxy", RFC 5946, October 2010.
- [RFC5974] Manner, J., Karagiannis, G., and A. McDonald, "NSIS Signaling Layer Protocol (NSLP) for Quality-of-Service Signaling", RFC 5974, October 2010.
- [RSVP-SEC-KEY] Behringer, M. and F. Le Faucheur, "Applicability of Keying Methods for RSVP Security", Work in Progress, June 2009.
- [RTR-ALERT] Le Faucheur, F., "IP Router Alert Considerations and Usage", Work in Progress, October 2009.
- [W3C] "World Wide Web Consortium (W3C) - Web Services Architecture", <<http://www.w3.org/TR/ws-arch/>>.

## Appendix A. Use Cases for RSVP Proxies

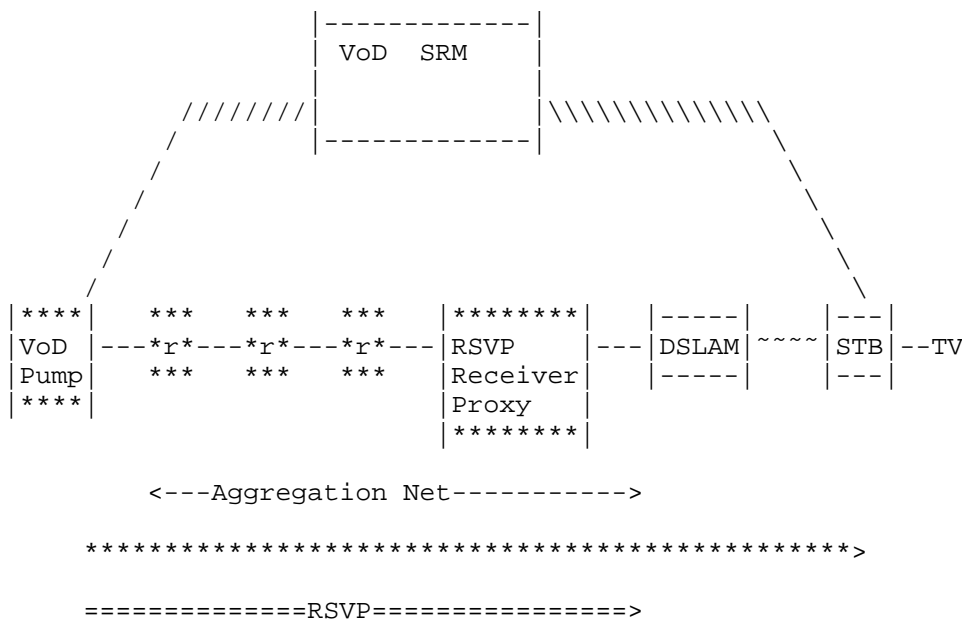
### A.1. RSVP-Based VoD Admission Control in Broadband Aggregation Networks

As broadband services for residential customers are becoming more and more prevalent, next-generation aggregation networks are being deployed in order to aggregate traffic from broadband users (whether attached via Digital Subscriber Line technology, aka DSL; Fiber To The Home/Curb, aka FTTx; Cable; or other broadband access technology). Video on Demand (VoD) services, which may be offered to broadband users, present significant capacity planning challenges for the aggregation network for a number of reasons. First, each VoD stream requires significant dedicated sustained bandwidth (typically 2-4 Mb/s in Standard Definition TV and 6-12 Mb/s in High Definition TV). Secondly, the VoD codec algorithms are very sensitive to packet loss. Finally, the load resulting from such services is very hard to predict (e.g., it can vary quite suddenly with blockbuster titles made available as well as with promotional offerings). As a result, transport of VoD streams on the aggregation network usually translate into a strong requirement for admission control. The admission control solution protects the quality of established VoD sessions by rejecting the additional excessive session attempts during unpredictable peaks, during link or node failures, or a combination of those factors.

RSVP can be used in the aggregation network for admission control of the VoD sessions. However, since customer premises equipment such as Set Top Boxes (STBs) (which behave as the receiver for VoD streams) often do not support RSVP, the last IP hop in the aggregation network can behave as an RSVP Receiver Proxy. This way, RSVP can be used between VoD pumps and the last IP hop in the aggregation network to perform accurate admission control of VoD streams over the resources set aside for VoD in the aggregation network (typically a certain percentage of the bandwidth of any link). As VoD streams are unidirectional, a simple Path-Triggered RSVP Receiver Proxy (as described in Section 4.1) is all that is required in this use case.

Figure 14 illustrates operation of RSVP-based admission control of VoD sessions in an aggregation network involving RSVP support on the VoD pump (the senders) and the RSVP Receiver proxy on the last IP hop of the aggregation network. All the customer premises equipment remains RSVP-unaware.





SRM Session Resource Manager

```

***
*r* regular RSVP      |---|
*** router           |STB| Set Top Box
                    |---|
    
```

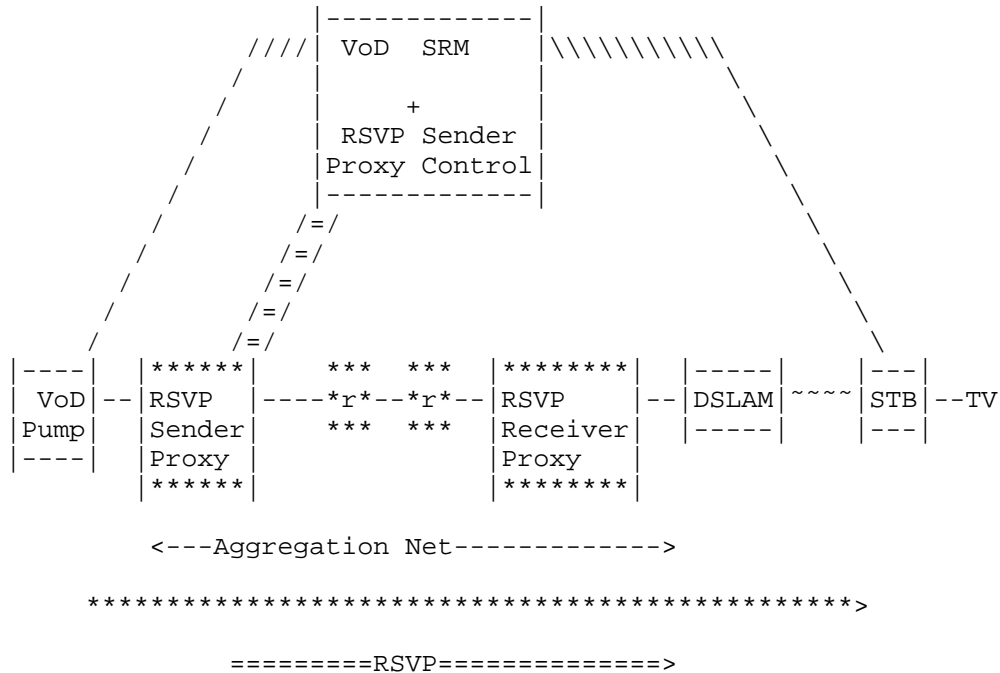
\*\*\*> VoD media flow

==> segment of flow path protected by RSVP reservation

/\ VoD Application-level signaling (e.g., RTSP)

Figure 14: VoD Use Case with Receiver Proxy

In the case where the VoD pumps are not RSVP-capable, an Application\_Entity-Controlled Sender Proxy via the "RSVP over GRE" approach (as described in Section 4.5.1) can also be implemented on the VoD Controller or Session Resource Manager (SRM) devices typically involved in VoD deployments. Figure 15 illustrates operation of RSVP-based admission control of VoD sessions in an aggregation network involving such an Application\_Entity-Controlled Source Proxy combined with an RSVP Receiver Proxy on the last IP hop of the aggregation network. All the customer premises equipment, as well as the VoD pumps, remain RSVP-unaware.



SRM Systems Resource Manager

```

***
*r* regular RSVP      |---|
*** router           |STB| Set Top Box
                    |---|

***> VoD media flow

==> segment of flow path protected by RSVP reservation

/   VoD Application-level signaling (e.g., RTSP)

/=/ GRE-tunneled RSVP (Path messages)
    
```

Figure 15: VoD Use Case with Receiver Proxy and SRM-Based Sender Proxy

The RSVP proxy entities specified in this document play a significant role here since they allow immediate deployment of an RSVP-based admission control solution for VoD without requiring any upgrade to the huge installed base of non-RSVP-capable customer premises equipment. In one mode described above, they also avoid upgrade of non-RSVP-capable VoD pumps. In turn, this means that the benefits of

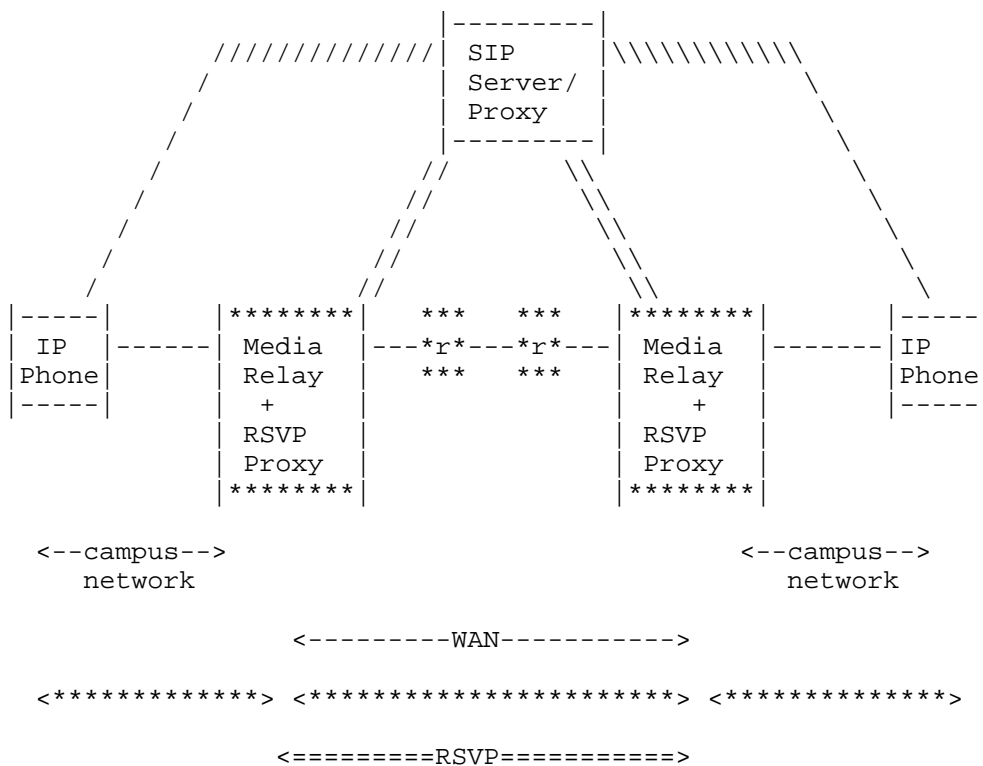
on-path admission control can be offered to VoD services over broadband aggregation networks without network or VoD pump upgrade. Those include accurate bandwidth accounting regardless of topology (hub-and-spoke, ring, mesh, star, arbitrary combinations) and dynamic adjustment to any change in topology (such as failure, routing change, additional links, etc.).

#### A.2. RSVP-Based Voice/Video Connection Admission Control (CAC) in Enterprise WAN

More and more enterprises are migrating their telephony and videoconferencing applications onto IP. When doing so, there is a need for retaining admission control capabilities of existing TDM-based (Time-Division Multiplexing) systems to ensure the QoS of these applications is maintained even when transiting through the enterprise's Wide Area Network (WAN). Since many of the endpoints already deployed (such as IP phones or videoconferencing terminals) are not RSVP-capable, RSVP proxy approaches are very useful: they allow deployment of an RSVP-based admission control solution over the WAN without requiring upgrade of the existing terminals.

A common deployment architecture for such environments relies on the Application\_Entity-Controlled Proxy approach as defined in Section 4.5. Routers sitting at the edges of the WAN are naturally "on-path" for all inter-campus calls (or sessions) and behave as RSVP proxies. The RSVP proxies establish, maintain, and tear down RSVP reservations over the WAN segment for the calls (or sessions) under the control of the SIP server/proxy. The SIP server/proxy synchronizes the RSVP reservation status with the status of end-to-end calls. For example, the called IP phone will only be instructed to play a ring tone if the RSVP reservation over the corresponding WAN segment has been successfully established.

This architecture allowing RSVP-based admission control of voice and video on the enterprise WAN is illustrated in Figure 16.



```

***
*r* Regular RSVP router
***

<***> media flow

<==> segment of flow path protected by RSVP reservation

/\ SIP signaling

// control interface between the SIP server/proxy and
   RSVP proxy

```

Figure 16: CAC on Enterprise WAN Use Case

A.3. RSVP Proxies for Mobile Access Networks

Mobile access networks are increasingly based on IP technology. This implies that, on the network layer, all traffic, both traditional data and streamed data like audio or video, is transmitted as

packets. Increasingly popular multimedia applications would benefit from better than best-effort service from the network, a forwarding service with strict Quality of Service (QoS) with guaranteed minimum bandwidth and bounded delay. Other applications, such as electronic commerce, network control and management, and remote-login applications, would also benefit from a differentiated treatment.

The IETF has two main models for providing differentiated treatment of packets in routers. The Integrated Services (IntServ) model [RFC1633], together with the Resource Reservation Protocol (RSVP) [RFC2205], [RFC2210], [RFC2961] provides per-flow guaranteed end-to-end transmission service. The Differentiated Services (Diffserv) framework [RFC2475] provides non-signaled flow differentiation that usually provides, but does not guarantee, proper transmission service.

However, these architectures have potential weaknesses for deployment in Mobile Access Networks. For example, RSVP requires support from both communication endpoints, and the protocol may have potential performance issues in mobile environments. Diffserv can only provide statistical guarantees and is not well suited for dynamic environments.

Let us consider a scenario, where a fixed network correspondent node (CN) would be sending a multimedia stream to an end host behind a wireless link. If the correspondent node does not support RSVP, it cannot signal its traffic characteristics to the network and request specific forwarding services. Likewise, if the correspondent node is not able to mark its traffic with a proper Differentiated Services codepoint (DSCP) to trigger service differentiation, the multimedia stream will get only best-effort service, which may result in poor visual and audio quality in the receiving application. Even if the connecting wired network is over-provisioned, an end host would still benefit from local resource reservations, especially in wireless access networks, where the bottleneck resource is most probably the wireless link.

RSVP proxies would be a very beneficial solution to this problem. It would allow distinguishing local network reservations from the end-to-end reservations. The end host does not need to know the access network topology or the nodes that will reserve the local resources. The access network would do resource reservations for both incoming and outgoing flows based on certain criteria, e.g., filters based on application protocols. Another option is that the mobile end host makes an explicit reservation that identifies the intention, and the access network will find the correct local access network node(s) to respond to the reservation. RSVP proxies would, thus, allow resource reservation over the segment that is the most likely bottleneck, the

wireless link. If the wireless access network uses a local mobility management mechanism, where the IP address of the mobile node does not change during handover, RSVP reservations would follow the mobile node movement.

#### A.4. RSVP Proxies for Reservations in the Presence of IPsec Gateways

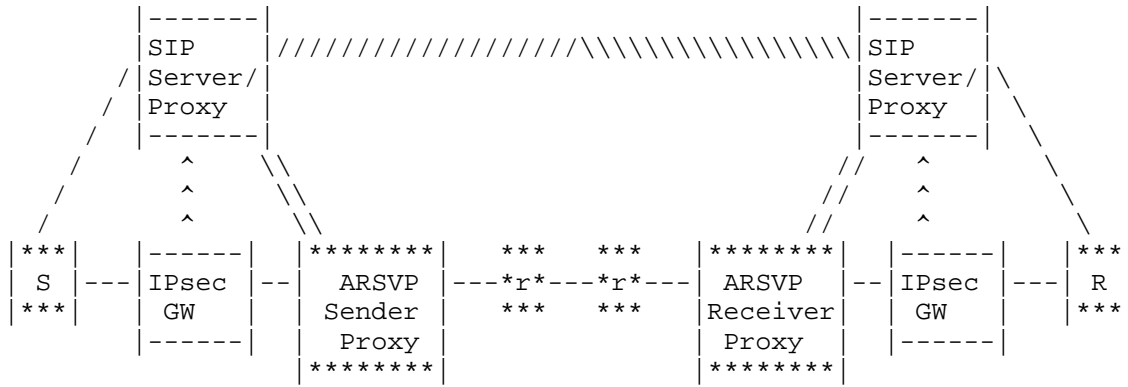
[RFC4923] discusses how resource reservation can be supported end-to-end in a nested VPN environment. At each VPN level, VPN routers behave as [RFC4301] security gateways between a plaintext domain and a ciphertext domain. To achieve end-to-end resource reservation, the VPN routers process RSVP signaling on the plaintext side, perform aggregation of plaintext reservations, and maintain the corresponding aggregate RSVP reservations on the ciphertext side. Each aggregate reservation is established on behalf of multiple encrypted end-to-end sessions sharing the same ingress and egress VPN routers. These aggregate reservations can be as specified in [RFC3175] or [RFC4860].

Section 3 of [RFC4923] discusses the necessary data flows within a VPN router to achieve the behavior described in the previous paragraph. Two mechanisms are described to achieve such data flows. Section 3.1 presents the case where the VPN router carries data across the cryptographic boundary. Section 3.2 discusses the case where the VPN router uses a Network Guard.

Where such mechanisms are not supported by the VPN routers, the approach for end-to-end reservations presented in [RFC4923] cannot be deployed. An alternative approach to support resource reservations within the ciphertext core is to use the Application\_Entity-Controlled Proxy approach (as defined in Section 4.5) in the following way:

- o the RSVP proxies are located inside the ciphertext domain and use aggregate RSVP reservations.
- o the application entity exchange application-level signaling with the end-systems in the plaintext domain.
- o the application entity controls the RSVP proxies in the ciphertext domain via an RSVP proxy control interface.

This is illustrated in Figure 17 in the case where the application is SIP-based multimedia communications.



```

***PT***> *****CT*****> ***PT***>
=====>
=====ARSVP=====>
    
```

```

****| RSVP-capable   |****| RSVP-capable   |***
 S  | Sender         | R  | Receiver     |*r* regular RSVP
****|                |****|                |*** router
    
```

```

-----|
IPsec  | IPsec security gateway
 GW    |
-----|
    
```

ARSVP Aggregate RSVP

- \*\*\*> media flow
- ==> segment of flow path protected by RSVP reservation
- / \ SIP signaling
- ^ Network management interface between SIP server/proxy and IPsec security gateway
- // control interface between SIP server/proxy and ARSVP proxy
- PT Plaintext network
- CT Ciphertext network

Figure 17: RSVP Proxies for Reservations in the Presence of IPsec Gateways

Where the sender and receiver are RSVP-capable, they may also use RSVP signaling. This achieves resource reservation on the plaintext segments of the end-to-end, i.e.,

- o from the sender to the ingress IPsec gateway, and
- o from the egress IPsec gateway to the receiver.

In this use case, because the VPN routers do not support any RSVP-specific mechanism, the end-to-end RSVP signaling is effectively hidden by the IPsec gateways on the ciphertext segment of the end-to-end path.

As with the Application\_Entity-Controlled Proxy approach (defined in Section 4.5), the solution here for synchronizing RSVP signaling with application-level signaling is to rely on an application-level signaling device that controls an on-path RSVP proxy function. However, in this use case, the RSVP proxies are a component of a ciphertext network where all user (bearer) traffic is IPsec encrypted. This has a number of implications, including the following:

1. encrypted flows cannot be identified in the ciphertext domain so that network nodes can only classify traffic based on IP address and Differentiated Services codepoints (DSCPs). As a result, only aggregate RSVP reservations (such as those specified in [RFC3175] or [RFC4860]) can be used. This is similar to [RFC4923].
2. Determining the RSVP Sender Proxy and RSVP Receiver Proxy to be used for aggregation of a given flow from sender to receiver creates a number of challenges. Details on how this may be achieved are beyond the scope of this document. We observe that, as illustrated in Figure 17, this may be facilitated by a network management interface between the application entity and the IPsec gateways. For example, this interface may be used by the application entity to obtain information about which IPsec gateway is on the path of a given end-to-end flow. Then, the application entity may maintain awareness of which RSVP proxy is on the ciphertext path between a given pair of IPsec gateways. How such awareness is achieved is beyond the scope of this document. We simply observe that such awareness can be easily achieved through simple configuration in the particular case where a single (physical or logical) RSVP proxy is fronting a given IPsec gateway. We also observe that when awareness of the RSVP Receiver Proxy for a particular egress IPsec gateway (or



end-to-end flow) is not available, the aggregate reservation may be signaled by the RSVP Sender Proxy to the destination address of the egress IPsec gateway and then proxied by the RSVP Receiver Proxy.

Different flavors of operations are possible in terms of aggregate reservation sizing. For example, the application entity can initiate an aggregate reservation of fixed size a priori and then simply keep count of the bandwidth used by sessions and reject sessions that would result in excess usage of an aggregate reservation. The application entity could also re-size the aggregate reservations on a session-by-session basis. Alternatively, the application entity could re-size the aggregate reservations in step increments typically corresponding to the bandwidth requirement of multiple sessions.

## Authors' Addresses

Francois Le Faucheur  
Cisco Systems  
Greenside, 400 Avenue de Roumanille  
Sophia Antipolis 06410  
France

Phone: +33 4 97 23 26 19  
EMail: flefauch@cisco.com

Jukka Manner  
Aalto University  
Department of Communications and Networking (Comnet)  
P.O. Box 13000  
FIN-00076 Aalto  
Finland

Phone: +358 9 470 22481  
EMail: jukka.manner@tkk.fi  
URI: <http://www.netlab.tkk.fi/~jmanner/>

Dan Wing  
Cisco Systems  
170 West Tasman Drive  
San Jose, CA 95134  
United States

EMail: dwing@cisco.com

Allan Guillou  
SFR  
40-42 Quai du Point du Jour  
Boulogne-Billancourt 92659  
France

EMail: allan.guillou@sfr.com